



**TECHNICAL DATASHEET FOR
POWDER(CARTRIDGE OPERATED)
TYPE FIRE EXTINGUISHER OF
CAPACITY 4 KG**

KANADIA FYR FYTER PVT. LTD
(An ISO 9001:2008 Certified Company)

KANEX DOC NO.: KFPL/GTP/P/CP/4

REV. 00

DATE: 01.07.2015

SHEET 1 OF 2

CLIENT

PROJECT

PO NO.

1.00 General

1.01	Manufacturer	Kanadia Fyr Fyter Pvt Ltd
1.02	Trade Mark	"KANEX"
1.03	Standard Code	IS 15683:2006
1.04	Type	Portable Cartridge Operated
1.05	Whether Seal is provided to indicate that Extinguisher has not been used	Yes
1.06	Quantity	

2.00 Materials of Construction

2.01	Extinguishing Medium	Sodium Bi-Carbonate Powder -Confirms to IS 4308
2.02	Body	Mild Steel Sheet having Max. of 0.25% Carbon, 0.05% Phosphorous and 0.05% Sulphur
2.03	Neck Ring	M.S. Pipe
2.04	Valve	Brass
2.05	Siphon Tube (Outlet)	Plastic
2.06	Siphon Tube (Intlet)	Aluminium
2.07	Discharge Nozzle	Plastic
2.08	Discharge Hose	Rubber Braided EPDM Hose(Length:465 mm)
2.09	Gas Cartridge(120 grams)	ISI marked as per IS:4947
2.10	Wall mounting Bracket with screw	Mild steel (Powder Coated)/M.S

3.00 Guaranteed Performance

3.01	Capacity	4 kg (Tolerance $\pm 2\%$ by mass)
3.02	Minimum effective Discharge Time	Minimum : 8 Sec. (Actual : 15 sec approx)
3.03	Bulk Range of Discharge	Minimum 2 meter (Actual : 4 meter approx)
3.04	Percentage of Discharge	Not Less than 85 % (Actual : 96% approx)
3.05	Fire Rating	21B
3.06	Temperature Range	-30 °C to +55 °C
3.07	Service Pressure	15 bar
3.08	Maximum Service Pressure	18 bar

4.00 Routine Tests

4.01	Pressure test (Pt)	35 bar (3.5 MPa)
------	--------------------	------------------



**TECHNICAL DATASHEET FOR
POWDER(CARTRIDGE OPERATED)
TYPE FIRE EXTINGUISHER OF
CAPACITY 4 KG**

KANADIA FYR FYTER PVT. LTD
(An ISO 9001:2008 Certified Company)

4.02	Minimum Burst Pressure test (Pb) for Body	55 bar (5.5 MPa)
4.03	Leakage test	By applying soap solution leakage to checked
4.04	Partial discharge	The second pressure or weight shall not be less than 75% of the first after interruption of the Discharge.
4.05	Burst Pressure Test For Discharge hose	Not less than 35 bar (3.5 Mpa)

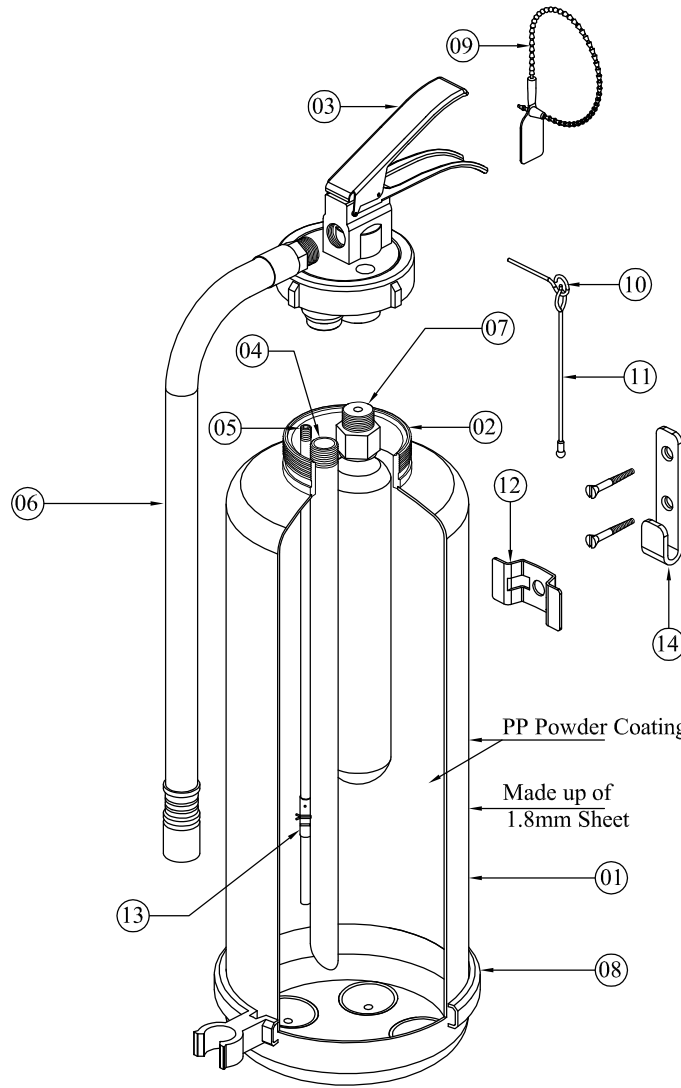
5.00	Extinguishers also pass through the Following Tests (Type tests)	
5.01	Resistance to Temperature changes	
5.02	Resistance to Impact test	
5.03	Resistance to Vibrations test	
5.04	Resistance to Corrosion test -External	
5.05	Tapping Test	
5.06	Intermittent Discharge test	
5.07	Crushing test	
5.08	Pressure cycling test	
5.09	Fire Performance test	
5.10	Maximum Service Pressure	

6.00	Dimensions	
6.01	Maximum Diameter of Fire Extinguisher	140±10 mm.
6.02	Overall Height of Extinguisher	510 mm (Approx.)
6.03	Thickness of sheet	Made Up of 1.8 mm
6.04	Full weight of cylinder	7.3 kg (Approx)

7.00	Anti - Corrosive Treatment	Phosphate Treatment Followed by epoxy powder coating of body DFT Not less than 50 Micron
8.00	Accessories (brackets & screws)	Provided

9.00	Miscellaneous	
9.01	Inspection & Testing	As per approved GTP
9.02	Finish	PO Red as per IS : 5 (Shade 538)
9.03	Marking	As per IS 15683:2006
9.04	Approvals	BIS
9.05	Maintenance, Care and Refilling	As per IS 2190
10.00	Packing	Corrugated boxes (Outer box sizes: 360x170x534mm)

DESIGN DATA		
Sr No.	PARTICULARS	DESCRIPTION
01	Capacity	4 kg (Tolerance ±2% by mass)
02	Temperature range	-30°C to +55°C
03	Service pressure	15 bar
04	Maximum service Pressure	18 bar
05	Pressure test (PT)	35 bar (3.5 MPa)
06	Minimum Burst Pressure Test(PB)	55 bar (5.5 MPa)
07	Burst pressure of hose	Not less than 35 bar (3.5 MPa)
PERFORMANCE PARAMETERS		
01	Effective discharge time	Minimum : 8 Sec. (Actual:15 sec approx)
02	Bulk range of discharge	Minimum : 2 meter (Actual:4 meter approx)
03	Percentage of discharge	Not less than 85% (Actual:96% approx)
04	Fire Rating	21B




MARKING	AS PER IS:15683-2006
APPROVAL	BIS - ISI MARKED

15.	Extinguishing medium	Sodium Bi-Carbonate As per IS:4308
14.	Wall bracket with Screw	Mild steel (Powder coated)
13.	Expandable Tube	Silicon Rubber
12.	"C" Clip	M.S.
11.	Safety pin Holder	Rubber/Soft pvc
10.	Safety pin	S.S.
09.	Seal	PP Plastic
08.	Belt	PP Plastic
07.	Gas Cartridge (120 gm.)	ISI Marked - As per IS 4947
06.	Discharge hose & nozzle	Rubber Braided EPDM Hose with nozzle
05.	Siphone tube (Inlet)	Aluminium
04.	Siphone tube (Outlet)	PVC/Plastic
03.	Valve	Brass
02.	Neck ring	M.S.Pipe
01.	Body	M.S. Sheet Having Maximum Of C=0.25%,P=0.05% and S= 0.05%

Date	Rev.Dt	Description	XXX	Name	Sign.	Date
00.00.00	00.00.00		APP'D	A.Shah		01.05.15
00.00.00	00.00.00		CHK'D	Naresh		01.05.15
00.00.00	00.00.00		DR'N	RNG		01.05.15


KANADIA FYR FYTER PVT.LTD
(AN ISO-9001-2008 CERTIFIED CO.)
 PLOT NO - 7, PARAS IND. ESTATE, NEAR GARIBHIA PIR,
 SIHOR -364 240 (GU.) e-mail: tech2@kanexfire.com

OWNER/CLIENT			
XXX XXX XXX XX XXX			
CONTRACTOR			
XXX XXX XXX XX XXX			
PO.No.		XXX XXX XXX XX XXX	
TITLE POWDER (CARTRIDGE OPERATED) FIRE EXTINGUISHER CAPACITY 4 KG.			
PROJECT	XXX XXX XXX XX XXX	Scale	NTS
DRG.No.	KFPL/GAD/P/CP/4	Project	
		Sheet	REV.
		1 of 1	00