



TECHNICAL DATASHEET FOR
POWDER(TROLLEY MOUNTED) TYPE
FIRE EXTINGUISHER OF CAPACITY
25 KG

KANADIA FYR FYTER PVT. LTD
(An ISO 9001:2008 Certified Company)

KANEX DOC NO.: KFPL/GTP/H/CP/P/25

REV. 00

DATE: 01.07.2015

SHEET 1 OF 2

CLIENT

PROJECT

PO NO.

1.00 General

| | | |
|------|--|---------------------------|
| 1.01 | Manufacturer | Kanadia Fyr Fyter Pvt Ltd |
| 1.02 | Trade Mark | "KANEX" |
| 1.03 | Standard Code | IS:10658:1999 |
| 1.04 | Type | Trolley Mounted Type |
| 1.05 | Whether Seal is provided to indicate that Extinguisher has not been used | Yes |
| 1.06 | Quantity | |

2.00 Materials of Construction

| | | |
|------|------------------------|--|
| 2.01 | Extinguishing Medium | Sodium Bi-Carbonate Powder-IS:4308 |
| 2.02 | Body | M.S Sheet of IS:2062 |
| 2.03 | Neck Ring | M.S Pipe of IS:1239 |
| 2.04 | Cap | Brass IS:319 |
| 2.05 | Cap Washer | Rubber |
| 2.06 | Spring | Carbon Steel IS:4454 |
| 2.07 | Siphon Tube(Inlet) | M.S. Pipe (IS:3601) |
| 2.08 | Siphon Tube(Outlet) | M.S. Pipe (IS:3601) |
| 2.09 | CO2 gas Cylinder(1 kg) | As per IS:7285 |
| 2.10 | CO2 gas | As per IS:15222 |
| 2.11 | Discharge Hose | PVC Braided (Burst pressure \geq 50 kg/cm ²) |
| 2.12 | Discharge Nozzle | Aluminium alloy (IS:617) |
| 2.13 | Discharge Valve | IS:3224 (Wheel Type) |
| 2.14 | Trolley Wheel | Solid Rubber |
| 2.15 | Carrying Handle | Mild steel |

3.00 Guaranteed Performance

| | | |
|------|----------------------------------|---|
| 3.01 | Capacity | 25 kg (By weight of extinguishing charge) |
| 3.02 | Discharge Time | 25 to 30 sec. (Actual:28 sec approx) |
| 3.03 | Range or Throw of Jet | 6 meter min. (Actual:7 meter approx) |
| 3.04 | Percentage of Discharge | Not Less than 85 %. (Actual:93% approx) |
| 3.05 | Hydraulic Pressure Test | 30 kg/cm ² for 2.5 minutes |
| 3.06 | Burst Test | 45 kg/cm ² |
| 3.07 | Service Pressure/Expansion Space | Not to exceed 15 kg/cm ² |
| 3.08 | Construction Features | As per IS:10658:1999 |



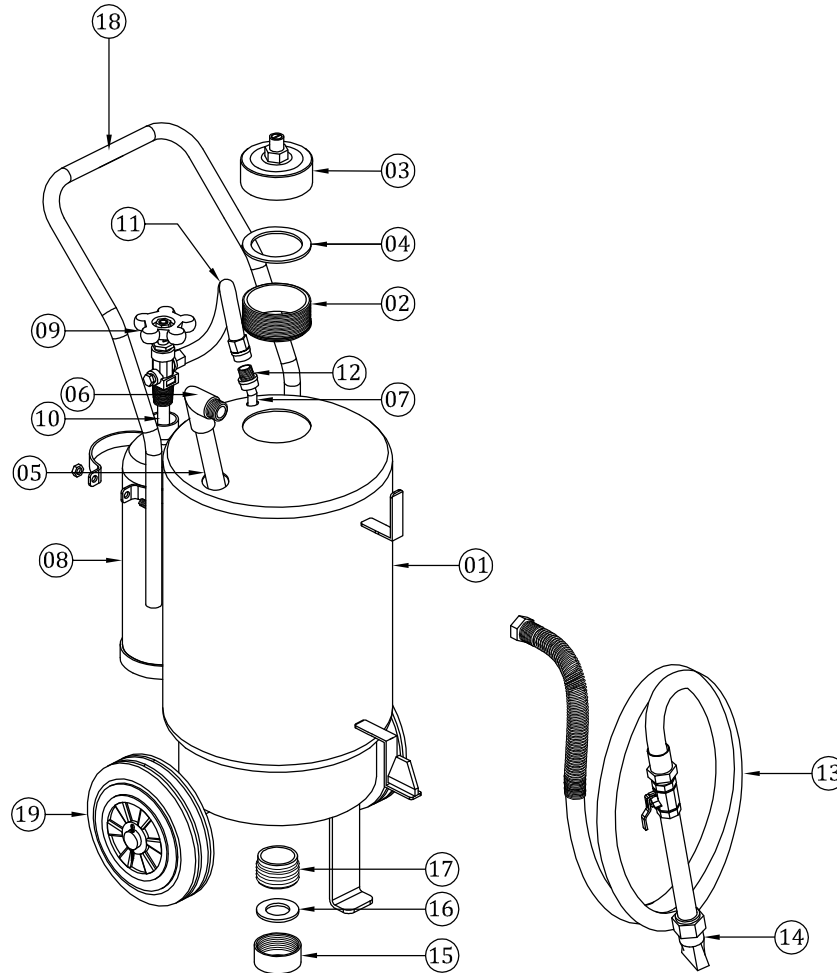
TECHNICAL DATASHEET FOR
POWDER(TROLLEY MOUNTED) TYPE
FIRE EXTINGUISHER OF CAPACITY
25 KG

KANADIA FYR FYTER PVT. LTD
(An ISO 9001:2008 Certified Company)

| | | |
|-------------|---|--|
| 3.09 | Supplied First Charge Of Extinguisher Agent | Yes |
| 4.00 | Dimensions | |
| 4.01 | Maximum Diameter of Fire Extinguisher | 300±10 mm O/D approx |
| 4.02 | Overall Height of Extinguisher | 980 mm (Approx.) |
| 4.03 | Shell thickness | 3.15 mm (Approx.) |
| 4.04 | Filler Opening | 75 mm |
| 4.05 | Discharge Hose | L=3 meter I.D=19 mm |
| 4.06 | Full Weight | 64 kg approx |
| 5.00 | Anti-Corrosive Treatment | Phosphate Treatment Followed by Epoxy Powder Coating of body DFT not less than 50 micron |
| 6.00 | Accessories | |
| 6.01 | Carrying Handle | Provided |
| 6.02 | Wheels | Provided |
| 6.03 | All other Accessories as per IS:10658 | Provided |
| 7.00 | Miscellaneous | |
| 7.01 | Inspection & Testing | As per approved GTP |
| 7.02 | Finish | PO Red as per IS : 5 (Shade 538) |
| 7.03 | Marking | As Per IS:10658:1999 |
| 7.04 | Maintenance, Care and Refilling | As per IS 2190 |
| 8.00 | Approvals | BIS |
| 9.00 | Packing | Suitable Jute Bags |

DESIGN DATA :

| | |
|----------------------------------|---|
| STANDARD CODE | : IS 10658 : 1999 |
| TYPE OF EXTINGUISHER | : TROLLEY MOUNTED TYPE |
| EXTINGUISHING MEDIUM | : SODIUM BI CARBONATE POWDER- IS:4308 |
| CLASS OF FIRE | : B & C |
| CAPACITY | : 25 KG.(BY WEIGHT OF EXTINGUISHING CHARGE) |
| DISHCHARGE TIME | : MINIMUM 25 SEC. & MAXIMUM 30 SEC.(Actual:28 sec approx) |
| RANGE OF THROW OF JET | : NOT LESS THAN 6 METERS. (Actual:7 meters approx) |
| PERCENTAGE DISCHARGE | : NOT LESS THAN 85% |
| HYDRAULIC PRESSURE TEST | : 30 kg./cm ² FOR 2.5 MINUTES. |
| BURST PRESSURE | : 45 kg/cm ² |
| SERVICE PRESSURE/EXPANSION SPACE | : NOT TO EXCEED 15 kg/cm ² |
| DIA. OF BODY | : 300±10mm.O/D.(APPROX) |
| TOTAL HEIGHT | : 980mm (APPROX) |
| FINISH | : PO RED AS PER IS:5 (SHADE - 538) |
| MARKING | : AS PER IS:10658 - 1999 |



| | | |
|-----|-------------------------|---|
| 19. | TROLLEY WHEEL | : SOLID RUBBER |
| 18. | CARRYING HANDLE | : M.S.PIPE |
| 17. | DRAIN NECK RING | : M.S. |
| 16. | DRAIN PLUG WASHER | : RUBBER |
| 15. | DRAIN PLUG | : BRASS |
| 14. | DISCHARGE NOZZLE | : ALUMINIUM ALLOY IS:617 |
| 13. | DISCHARGE HOSE | : PVC BRAIDED (BURST PRESSURE ≥50kg/cm ²) |
| 12. | CO2 CONNECTION ADAPTOR | : M.S. |
| 11. | CO2 CONNECTION HOSE: | WIRE BRAIDED |
| 10. | CO2 SIPHONE TUBE | : ALUMINIUM |
| 09. | DISCHARGE VALVE | : CONFIRM TO IS : 3224 |
| 08. | CO2 GAS CYLINDER (1 KG) | : AS PER IS:7285 |
| 07. | SIPHONE TUBE (INLET) | : M.S. PIPE TO IS:3601 |
| 06. | DISCHARGE ELBOW | : M.S. |
| 05. | SIPHONE TUBE (OUTLET) | : M.S. PIPE TO IS:3601 |
| 04. | WASHER | : RUBBER |
| 03. | CAP | : BRASS TO IS : 319 |
| 02. | NECK RING | : M.S.PIPE OF IS:1239 (Part - 1) |
| 01. | BODY | : M.S. SHEET OF IS:2062 |



| | | | | | |
|----------|----------|--|-------|--------|----------|
| 00.00.00 | 00.00.00 | | APP'D | A.Shah | 01.07.15 |
| 00.00.00 | 00.00.00 | | CHK'D | Naresh | 01.07.15 |
| 00.00.00 | 00.00.00 | | DR'N | RNG | 01.07.15 |

KANEX
(AN ISO-9001-2008 CERTIFIED CO.)
KANADIA FYR FYTER PVT.LTD
PLOT NO - 7, PARAS IND. ESTATE, NEAR GARIBISHA PIR, SIHOR -364 240.(GUJ.) e-mail: tech2@kanexfire.com

| | | |
|---|--------------------|------------|
| OWNER/CLIENT | | |
| XXX XXX XXX XX XXX | | |
| CONTRACTOR | | |
| XXX XXX XXX XX XXX | | |
| PO.No. | XXX XXX XXX XX XXX | |
| TITLE HIGHER CAPACITY DRY POWDER FIRE EXTINGUISHER 25 KG CAPACITY.(TROLLEY MOUNTED) | | |
| PROJECT | XXX XXX XXX XX XXX | Scale NTS |
| DRG.No. | KFPL/GAD/H/CP/P/25 | Project |
| | | Sheet REV. |
| | | 1 of 1 00 |

| Sr.No. | Item Description | Materials of Constructions |
|--------|------------------|----------------------------|
|--------|------------------|----------------------------|

| Date | Rev.Dt | Description | XXX | Name | Sign. | Date |
|------|--------|-------------|-----|------|-------|------|
|------|--------|-------------|-----|------|-------|------|

A