



**TECHNICAL DATASHEET FOR CO2  
PORTABLE TYPE FIRE EXTINGUISHER  
OF CAPACITY 3 KG**

**KANADIA FYR FYTER PVT. LTD**  
(An ISO 9001:2008 Certified Company)

KANEX DOC NO.: KFPL/GTP/P/SHP/C/3

REV. 00

DATE: 01.07.2015

SHEET 1 OF 2

CLIENT

PROJECT

PO NO.

**1.00 General**

1.01	Manufacturer	Kanadia Fyr Fyter Pvt Ltd
1.02	Trade Mark	"KANEX"
1.03	Standard Code	IS 15683:2006
1.04	Type	Portable-High Pressure Type
1.05	Whether Seal is provided to indicate that Extinguisher has not been used	Yes
1.06	Quantity	

**2.00 Materials of Construction**

2.01	Extinguishing Medium	CO2 Gas (Purity as per IS: 15222-99.5%)
2.02	Body	Seamless Manganese Steel-ISI marked confirms to IS:7285
2.03	Discharge Valve(Wheel Type)	Confirms to IS:3224
2.04	Discharge Horn	Non-Conductor Of Electricity-Polyethylene
2.05	Siphon Tube	Aluminium
2.06	Wall mounting Bracket	Mild steel (Powder Coated)

**3.00 Guaranteed Performance**

3.01	Capacity	3 kg (Tolerance $\pm 5\%$ by mass)
3.02	Minimum effective Discharge Time	Minimum : 8 Sec. (Actual : 13 Sec. approx)
3.03	Bulk Range of Discharge	Minimum 2 meter (Actual : 2 meter approx)
3.04	Percentage of Discharge	Not Less than 95 % (Actual : 98% approx)
3.05	Fire Rating	13B
3.06	Temperature Range	-30 °C to +55 °C
3.07	Working Pressure	60-70 bar
3.08	Pressure Test	250 bar
3.09	Fill Density	Not to Exceed 0.667 percent

**4.00 Routine Tests**

4.01	Leakage test	By Dipping in water leakage to checked
4.02	Partial discharge	The second pressure or weight shall not be less than 75% of the first after interruption of the Discharge.

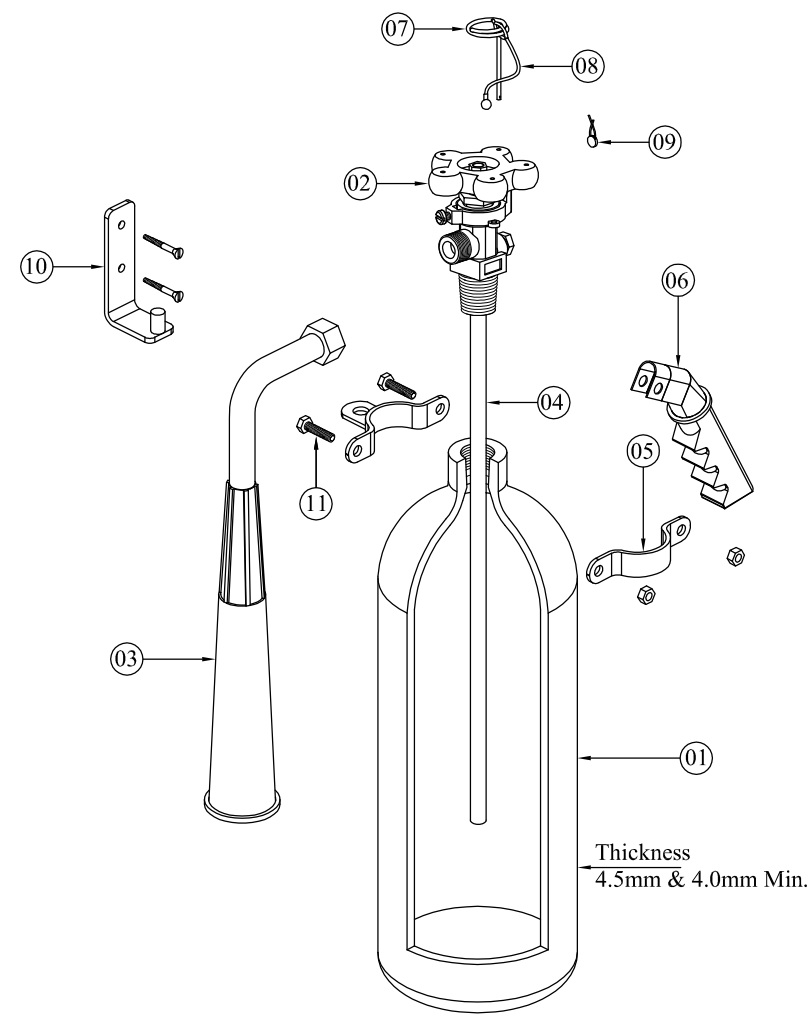


**TECHNICAL DATASHEET FOR CO2  
PORTABLE TYPE FIRE EXTINGUISHER  
OF CAPACITY 3 KG**

**KANADIA FYR FYTER PVT. LTD**  
(An ISO 9001:2008 Certified Company)

<b>5.00</b>	<b>Extinguishers also pass through the Following Tests (Type tests)</b>	
5.01	Resistance to Temperature changes	
5.02	Resistance to Impact test	
5.03	Tapping Test	
5.04	Resistance to Vibration test	
5.05	Intermittent Discharge test	
5.06	Fire performance test	
5.07	Maximum Service Pressure	
<b>6.00</b>	<b>Dimensions</b>	
6.01	Maximum Diameter of Fire Extinguisher	140±10 mm.
6.02	Overall Height of Extinguisher	545 mm (Approx.)
6.03	Shell thickness	4mm or 4.5mm (Minimum)
6.04	Full weight of cylinder	11.4 kg or 12.5 kg (Approx)
<b>7.00</b>	<b>Color Of Extinguisher body</b>	Painted With Durable Enamel PO red shade No.538 of IS:5
<b>8.00</b>	<b>Accessories (brackets &amp; screws)</b>	Provided
<b>9.00</b>	<b>Miscellaneous</b>	
9.01	Inspection & Testing	As per approved GTP
9.02	Finish	PO Red as per IS : 5 (Shade 538 )
9.03	Marking	As per IS 15683:2006
9.04	Approvals	BIS
9.05	Maintenance, Care and Refilling	As per IS 2190
<b>10.0</b>	<b>Packing</b>	Jute Bag (Length:762 mm Width:280 mm)

DESIGN DATA		
Sr No.	PARTICULARS	DESCRIPTION
01	Capacity	3 kg (Tolerance ±5% by mass)
02	Temperature range	-30°C to +55°C
03	Working pressure	60-70 bar
04	Pressure test (Pt) Pressure	Min. 250 bar
PERFORMANCE PARAMETERS		
01	Effective discharge time	Minimum : 8 Sec. (Actual:13 sec approx)
02	Bulk range of discharge	Minimum : 2 meter (Actual:2 meter approx)
03	Percentage of discharge	Not less than 95% (Actual:98% approx)
04	Fire Rating	13B



<b>MARKING APPROVAL</b>	<b>AS PER IS:15683-2006</b>
	<b>BIS-ISI MARKED</b>

12.	Extinguishing medium	CO <sub>2</sub> Gas (Purity as per IS 15222-99.5 %)
11.	Nut/Bolt	M.S..(Galvanized)
10.	Wall mounting bracket With Screw	Mild steel (Powder coated)
09.	Seal	Lead
08.	Safety pin Holder	Soft PVC
07.	Safety pin	M.S.(Hard Chromed)
06.	Handle	Mild steel with rubber grip
05.	Clamp	M.S.
04.	Siphone tube	Aluminum
03.	Discharge Horn	Polyethylene (Non Conductor of Electricity)
02.	Discharge Valve	Confirms to IS : 3224 (Wheel type)
01.	Body	Seamless Manganese Steel - ISI Marked Confirms to IS : 7285

00.00.00	00.00.00		APP'D	A.Shah	01.07.15
00.00.00	00.00.00		CHK'D	Naresh	01.07.15
00.00.00	00.00.00		DR'N	RNG	01.07.15

**KANEX**  
 (AN ISO-9001-2008 CERTIFIED CO.)  
 KANADIA FYR FYTER PVT.LTD  
 PLOT NO - 7, PARAS IND. ESTATE, NEAR GARIBISHA PIR,  
 SIHOR -364 240.(GU.) e-mail: tech2@kanexfire.com

OWNER/CLIENT		XXX XXX XXX XX XXX	
CONTRACTOR		XXX XXX XXX XX XXX	
PO.No.	XXX XXX XXX XX XXX		
TITLE	CO <sub>2</sub> TYPE FIRE EXTINGUISHER OF CAPACITY 3 KG.		
PROJECT	XXX XXX XXX XX XXX	Scale	NTS
DRG.No.	KFPL/GAD/P/SHP/C/3	Project	
		Sheet	REV.
		1 of 1	00