



TECHNICAL DATASHEET FOR CO2
PORTABLE TYPE FIRE EXTINGUISHER
OF CAPACITY 4.5 KG

KANADIA FYR FYTER PVT. LTD
(An ISO 9001:2008 Certified Company)

KANEX DOC NO.: KFPL/GTP/P/SHP/C/4.5

REV. 00

DATE: 01.07.2015

SHEET 1 OF 2

CLIENT

PROJECT

PO NO.

1.00 General

1.01	Manufacturer	Kanadia Fyr Fyter Pvt Ltd
1.02	Trade Mark	"KANEX"
1.03	Standard Code	IS 15683:2006
1.04	Type	Portable-High Pressure Type
1.05	Whether Seal is provided to indicate that Extinguisher has not been used	Yes
1.06	Quantity	

2.00 Materials of Construction

2.01	Extinguishing Medium	CO2 Gas (Purity as per IS: 15222-99.5%)
2.02	Body	Seamless Manganese Steel-ISI marked confirms to IS:7285
2.03	Discharge Valve(Wheel Type)	Confirms to IS:3224
2.04	Discharge Horn	Non-Conductor Of Electricity-Polyethylene
2.05	Siphon Tube	Aluminium
2.06	Discharge Hose	Wire braided Of Length 1m,ID:10mm
2.07	Wall mounting Bracket	Mild steel (Powder Coated)

3.00 Guaranteed Performance

3.01	Capacity	4.5 kg (Tolerance $\pm 5\%$ by mass)
3.02	Minimum effective Discharge Time	Minimum : 8 Sec. (Actual : 14 Sec. approx)
3.03	Bulk Range of Discharge	Minimum 2 meter (Actual : 2 meter approx)
3.04	Percentage of Discharge	Not Less than 95 % (Actual : 96% approx)
3.05	Fire Rating	21B
3.06	Temperature Range	-30 °C to +55 °C
3.07	Working Pressure	60-70 bar
3.08	Pressure Test	250 bar
3.09	Fill Density	Not to Exceed 0.667 percent

4.00 Routine Tests

4.01	Leakage test	By Dipping in water leakage to checked
4.02	Partial discharge	The second pressure or weight shall not be less than 75% of the first after interruption of the Discharge.
4.03	Burst test of Hose	Minimum Burst Pressure of 275 bar

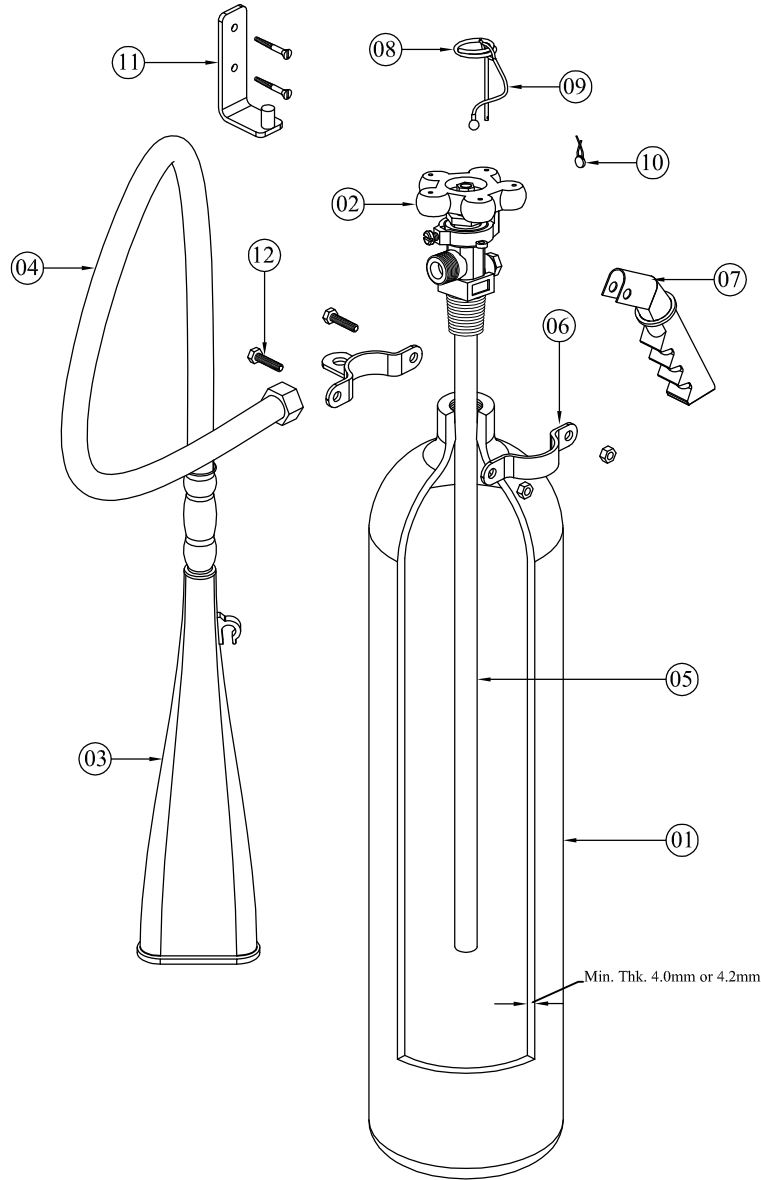


**TECHNICAL DATASHEET FOR CO2
PORTABLE TYPE FIRE EXTINGUISHER
OF CAPACITY 4.5 KG**

KANADIA FYR FYTER PVT. LTD
(An ISO 9001:2008 Certified Company)

5.00	Extinguishers also pass through the Following Tests (Type tests)	
5.01	Resistance to Temperature changes	
5.02	Resistance to Impact test	
5.03	Tapping Test	
5.04	Resistance to Vibration test	
5.05	Intermittent Discharge test	
5.06	Fire performance test	
5.07	Maximum Service Pressure	
6.00	Dimensions	
6.01	Maximum Diameter of Fire Extinguisher	140±10 mm.
6.02	Overall Height of Extinguisher	700 mm (Approx.)
6.03	Shell thickness	4.0mm or 4.2mm (Minimum)
6.04	Full weight of cylinder	16.4 kg or 17.0 kg (Approx)
7.00	Color Of Extinguisher body	Painted With Durable Enamel PO red shade No.538 of IS:5
8.00	Accessories (brackets & screws)	Provided
9.00	Miscellaneous	
9.01	Inspection & Testing	As per approved GTP
9.02	Finish	PO Red as per IS : 5 (Shade 538)
9.03	Marking	As per IS 15683:2006
9.04	Approvals	BIS
9.05	Maintenance, Care and Refilling	As per IS 2190
10.0	Packing	Jute Bags (Length:890 mm Width:280 mm)

DESIGN DATA		
Sr No.	PARTICULARS	DESCRIPTION
01	Capacity	4.5 kg (Tolerance ±5% by mass)
02	Temperature range	-30°C to +55°C
03	Working pressure	60-70 bar
04	Pressure test (Pt) Pressure	Min. 250 bar
PERFORMANCE PARAMETERS		
01	Effective discharge time	Minimum : 8 Sec.
02	Bulk range of discharge	Minimum : 2 meter
03	Percentage of discharge	Not less than 95%
04	Fire Rating	21B



MARKING	AS PER IS:15683-2006
APPROVAL	BIS-ISI MARKED

13.	Extinguishing medium	CO ₂ Gas (Purity as per IS 15222-99.5 %)
12.	Nut/Bolt	M.S.(Galvanized)
11.	Wall mounting bracket With Screw	M.S. (Powder coated)
10.	Seal	Lead
09.	Safety pin Holder	Soft PVC
08.	Safety pin	M.S.(Hard Chromed)
07.	Handle	M.S. with rubber grip
06.	Clamp	M.S.
05.	Siphone tube	Aluminum
04.	Discharge Hose	Wire braided 1 mtr. ID-10 mm.
03.	Discharge Horn	Polyethylene Non Conductor of Electricity
02.	Discharge Valve	Confirms to IS : 3224 (Wheel type)
01.	Body	Seamless Manganese Steel - ISI Marked Confirms to IS : 7285

00.00.00	00.00.00		APP'D	A.Shah	01.07.15
00.00.00	00.00.00		CHK'D	Suresh	01.07.15
00.00.00	00.00.00		DR'N	RNG	01.07.15



OWNER/CLIENT			
XXX XXX XXX XX XXX			
CONTRACTOR			
XXX XXX XXX XX XXX			
PO.No.	XXX XXX XXX XX XXX		
TITLE	CO ₂ TYPE FIRE EXTINGUISHER OF CAPACITY 4.5 KG.		
PROJECT	XXX XXX XXX XX XXX	Scale	NTS
DRG.No.	KFPL/GAD/P/SHP/C/4.5	Project	
		Sheet	REV.
		1 of 1	00

Sr.No	Item Description	Materials of Constructions
1		
2		
3		

Date	Rev.Dt	Description	XXX	Name	Sign.	Date