



**TECHNICAL DATASHEET FOR CO2
PORTABLE TYPE FIRE EXTINGUISHER
OF CAPACITY 4.5 KG (ALUMINIUM
BODY)**

KANADIA FYR FYTER PVT. LTD
(An ISO 9001:2008 Certified Company)

KANEX DOC NO.: KFPL/GTP/P/SHP/C/AL/4.5

REV. 00

DATE: 01.07.2015

SHEET 1 OF 2

CLIENT

PROJECT

PO NO.

1.00 General

1.01 Manufacturer Kanadia Fyr Fyter Pvt Ltd

1.02 Trade Mark "KANEX"

1.04 Type Portable-High Pressure Type

1.05 Whether Seal is provided to indicate that Extinguisher has not been used Yes

1.06 Quantity

2.00 Materials of Construction

2.01 Extinguishing Medium CO2 Gas (Purity as per IS: 15222-99.5%)

2.02 Body CO2 body Aluminium Confirms to ISO 7866:1999

2.03 Discharge Valve(Wheel Type) Confirms to IS:3224

2.04 Discharge Horn Non-Conductor Of Electricity-Polyethylene

2.05 Siphon Tube Aluminium

2.06 Discharge Hose Wire braided Of Length 1m,ID:10mm

2.07 Wall mounting Bracket Mild steel (Powder Coated)

3.00 Guaranteed Performance

3.01 Capacity 4.5 kg (Tolerance $\pm 5\%$ by mass)

3.02 Minimum effective Discharge Time Minimum : 8 Sec. (Actual : 14 Sec. approx)

3.03 Bulk Range of Discharge Minimum 2 meter (Actual : 2 meter approx)

3.04 Percentage of Discharge Not Less than 95 % (Actual : 96% approx)

3.05 Fire Rating 21B

3.06 Temperature Range -30 °C to +55 °C

3.07 Working Pressure 65 bar

3.08 Pressure Test 250 bar

3.09 Fill Density Not to Exceed 0.667 percent

4.00 Routine Tests

4.01 Leakage test By Dipping in water leakage to checked

4.02 Partial discharge The second pressure or weight shall not be less than 75% of the first after interruption of the Discharge.

4.03 Burst test of Hose Minimum Burst Pressure of 275 bar



**TECHNICAL DATASHEET FOR CO2
PORTABLE TYPE FIRE EXTINGUISHER
OF CAPACITY 4.5 KG (ALUMINIUM
BODY)**

KANADIA FYR FYTER PVT. LTD
(An ISO 9001:2008 Certified Company)

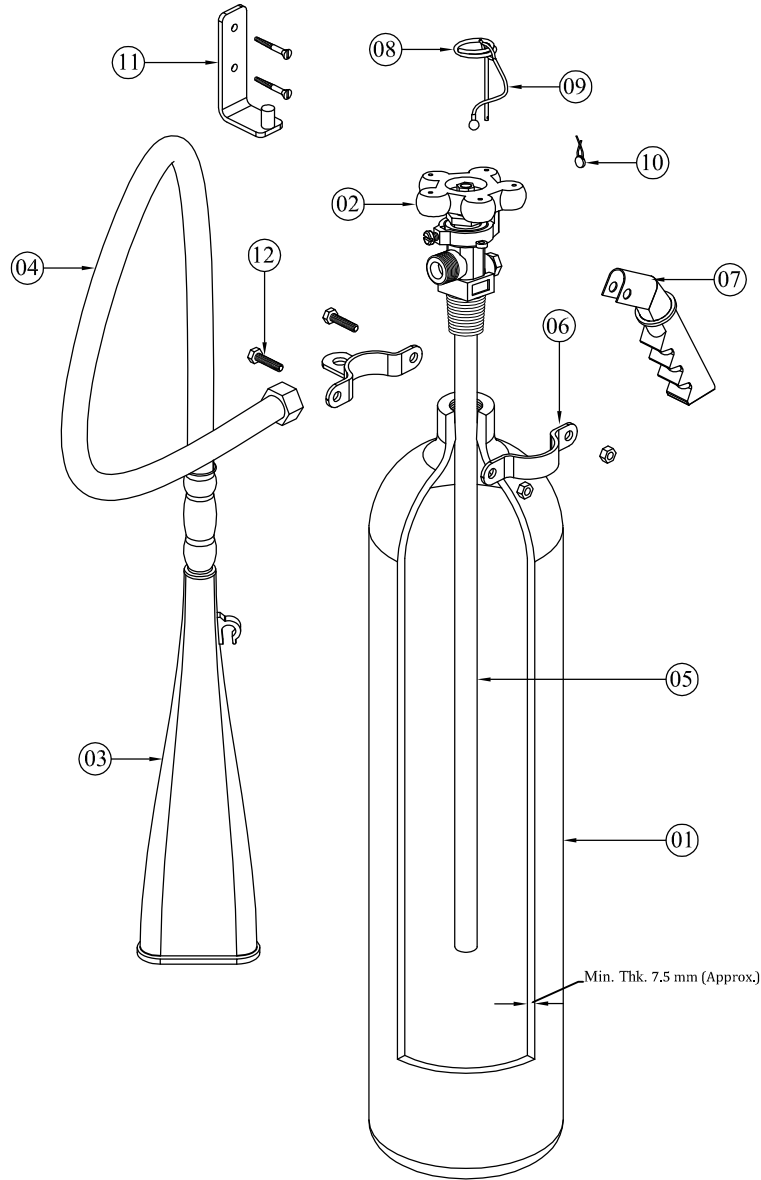
5.00	Extinguishers also pass through the Following Tests (Type tests)	
5.01	Resistance to Temperature changes	
5.02	Resistance to Impact test	
5.03	Tapping Test	
5.04	Resistance to Vibration test	
5.05	Intermittent Discharge test	
5.06	Fire performance test	
5.07	Maximum Service Pressure	
6.00	Dimensions	
6.01	Maximum Diameter of Fire Extinguisher	140±10 mm.
6.02	Overall Height of Extinguisher	700 mm (Approx.)
6.03	Shell thickness	7.5 mm (Approx.)
6.04	Full weight of cylinder	12.5 kg (Approx)
7.00	Color Of Extinguisher body	Painted With Durable Enamel PO red shade No.538 of IS:5
8.00	Accessories (brackets & screws)	Provided
9.00	Miscellaneous	
9.01	Inspection & Testing	As per approved GTP
9.02	Finish	PO Red as per IS : 5 (Shade 538)
9.03	Marking	As per standard requirement
9.05	Maintenance, Care and Refilling	As per IS 2190
10.0	Packing	Jute Bags (Length:890 mm Width:280 mm)

DESIGN DATA		
Sr No.	PARTICULARS	DESCRIPTION
01	Capacity	4.5 kg (Tolerance ±5% by mass)
02	Temperature range	-30°C to +55°C
03	Working pressure	65 bar
04	Pressure test (Pt) Pressure	Min. 250 bar
PERFORMANCE PARAMETERS		
01	Effective discharge time	Minimum : 8 Sec.
02	Bulk range of discharge	Minimum : 2 meter
03	Percentage of discharge	Not less than 95%
04	Fire Rating	21B

MARKING As per standard requirement

13.	Extinguishing medium	CO ₂ Gas (Purity as per IS 15222-99.5 %)
12.	Nut/Bolt	M.S.(Galvanized)
11.	Wall mounting bracket With Screw	M.S. (Powder coated)
10.	Seal	Lead
09.	Safety pin Holder	Soft PVC
08.	Safety pin	M.S.(Hard Chromed)
07.	Handle	M.S. with rubber grip
06.	Clamp	M.S.
05.	Siphone tube	Aluminum
04.	Discharge Hose	Wire braided 1 mtr. ID-10 mm.
03.	Discharge Horn	Polyethylene Non Conductor of Electricity
02.	Discharge Valve	Confirms to IS : 3224 (Wheel type)
01.	Body	CO ₂ body Aluminium Confirms to ISO 7866:1999

Sr.No	Item Description	Materials of Constructions
1		
2		
3		
4		
5		
6		
7		
8		
9		
10		



OWNER/CLIENT			
XXX XXX XXX XX XXX			
CONTRACTOR			
XXX XXX XXX XX XXX			
PO.No.		XXX XXX XXX XX XXX	
TITLE			
CO ₂ TYPE FIRE EXTINGUISHER OF CAPACITY 4.5 KG. (Aluminum Body)			
PROJECT		XXX XXX XXX XX XXX	Scale NTS
DRG.No.		KFPL/GAD/P/SHP/C/AL/4.5	Project
		Sheet 1 of 1	REV. 00

KANEX
(AN ISO-9001-2008 CERTIFIED CO.)
 PLOT NO - 7, PARAS IND. ESTATE, NEAR GARIBHIA PIR,
 SIHOR -364 240.(GU.) e-mail: tech2@kanexfire.com

00.00.00	00.00.00		APP'D	A.Shah	01.07.15
00.00.00	00.00.00		CHK'D	Suresh	01.07.15
00.00.00	00.00.00		DR'N	RNG	01.07.15

Date	Rev.Dt	Description	XXX	Name	Sign.	Date

A