



**TECHNICAL DATASHEET FOR POWDER
(TROLLEY MOUNTED) "D" TYPE FIRE
EXTINGUISHER OF CAPACITY 25 KG**

KANADIA FYR FYTER PVT. LTD
(An ISO 9001:2008 Certified Company)

KANEX DOC NO.: KFPL/GTP/H/CP/D/25

REV. 00

DATE: 01.07.2015

SHEET 1 OF 2

CLIENT

PROJECT

PO NO.

1.00 General

1.01 Manufacturer Kanadia Fyr Fyter Pvt Ltd

1.02 Trade Mark "KANEX"

1.03 Type Trolley Mounted Type

1.04 Whether Seal is provided to indicate that Extinguisher has not been used Yes

1.05 Quantity

2.00 Materials of Construction

2.01 Extinguishing Medium Chloride based dry powder

2.02 Body M.S Sheet

2.03 Neck Ring M.S Pipe

2.04 Cap Brass

2.05 Siphon Tube(Inlet) M.S. Pipe

2.06 Siphon Tube(Outlet) M.S. Pipe

2.07 CO2 gas Cylinder(1 kg) As per IS:7285

2.08 CO2 gas As per IS:15222

2.09 Discharge Hose PVC Braided (Burst pressure \geq 50 kg/cm²)

2.10 Applicator Aluminium alloy

2.11 Discharge Valve IS:3224 (Wheel Type)

2.12 Trolley Wheel Solid Rubber

2.13 Carrying Handle Mild steel

3.00 Guaranteed Performance

3.01 Capacity 25 kg (By weight of extinguishing charge)

3.02 Discharge Time Min. 25 sec.

3.03 Range or Throw of Jet NA

3.04 Percentage of Discharge Not Less than 85 %.

3.05 Hydraulic Pressure Test 30 kg/cm² for 2.5 minutes

3.06 Burst Test 45 kg/cm²

3.07 Service Pressure/Expansion Space Not to exceed 15 kg/cm²

3.08 Supplied First Charge Of Extinguisher Agent Yes



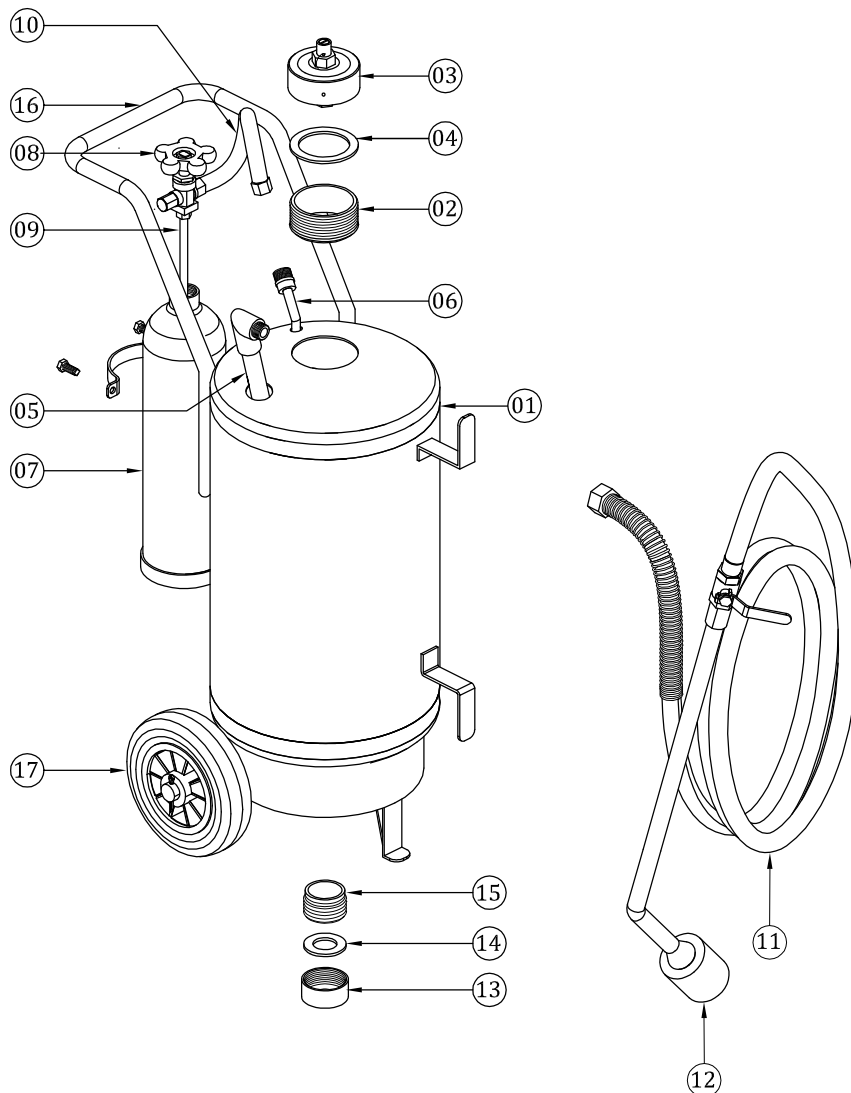
**TECHNICAL DATASHEET FOR POWDER
(TROLLEY MOUNTED) "D" TYPE FIRE
EXTINGUISHER OF CAPACITY 25 KG**

KANADIA FYR FYTER PVT. LTD
(An ISO 9001:2008 Certified Company)

4.00	Dimensions	
4.01	Maximum Diameter of Fire Extinguisher	300±10 mm O/D approx
4.02	Overall Height of Extinguisher	980 mm (Approx.)
4.03	Shell thickness	3.15 mm (Approx.)
4.04	Filler Opening	75 mm
4.05	Discharge Hose	L=3 meter I.D=19 mm
4.06	Full Weight	64 kg approx
5.00	Anti-Corrosive Treatment	Phosphate Treatment Followed by Epoxy Powder Coating of body DFT not less than 50 micron
6.00	Accessories	
6.01	Wheels	Provided
7.00	Miscellaneous	
7.01	Inspection & Testing	As per approved GTP
7.02	Finish	PO Red as per IS : 5 (Shade 538)
7.03	Maintenance, Care and Refilling	As per IS 2190
8.00	Packing	Suitable Jute Bags

DESIGN DATA :

TYPE OF EXTINGUISHER	: TROLLEY MOUNTED TYPE
EXTINGUISHING MEDIUM	: CHLORIDE BASED POWDER
CLASS OF FIRE	: D CLASS FOR METAL FIRES
CAPACITY	: 25 KG.(BY WEIGHT OF EXTINGUISHING CHARGE)
DISHCHARGE TIME	: MINIMUM 25 SEC.
RANGE OF THROW OF JET	: NA
HYDRAULIC PRESSURE TEST	: 30 kg/cm ² FOR 2.5 MINUTES.
BURST PRESSURE	: 45 kg/cm ²
SERVICE PRESSURE/ EXPANSION SPACE	: NOT TO EXCEED 15 kg/cm ²
DIA. OF BODY	: 300±10mm.O/D.(APPROX)
TOTAL HEIGHT	: 980mm (APPROX)
FINISH	: PO RED AS PER IS:5 (SHADE-538)



17.	TROLLEY WHEEL	: SOLID RUBBER
16.	CARRYING HANDLE	: M.S.PIPE
15.	DRAIN NECK RING	: M.S.
14.	DRAIN PLUG WASHER	: RUBBER
13.	DRAIN PLUG	: BRASS
12.	APLICATOR	: ALUMINIUM ALLOY 6063:T6
11.	DISCHARGE HOSE	: PVC BRAIDED 3 Mtr. (BURST PRESSURE ≥50kg/cm ²)
10.	CO2 CONNECTION HOSE:	WIRE BRAIDED
09.	CO2 SYPHONE TUBE	: ALUMINIUM
08.	DISCHARGE VALVE	: BRASS CONFIRM TO IS : 3224
07.	CO2 GAS CYLINDER (1 KG)	: AS PER IS:7285
06.	SIPHONE TUBE (INLET)	: M.S. PIPE
05.	SIPHONE TUBE (OUTLET)	: M.S. PIPE
04.	WASHER	: RUBBER
03.	CAP	: BRASS
02.	NECK RING	: M.S.PIPE
01.	BODY	: M.S. SHEET

00.00.00	00.00.00		APP'D	A.Shah	01.07.15
00.00.00	00.00.00		CHK'D	Naresh	01.07.15
00.00.00	00.00.00		DR'N	RNG	01.07.15

KANEX
(AN ISO-9001-2008 CERTIFIED CO.)
 PLOT NO - 7, PARAS IND. ESTATE, NEAR GARIBISHA PIR,
 SIHOR -364 240 (GU.) e-mail: tech2@kanexfire.com

TITLE: POWDER (TROLLEY MOUNTED) "D" TYPE FIRE EXTINGUISHER OF CAPACITY 25 KG

DRG. NO. :KFPL/GAD/H/CP/D/25

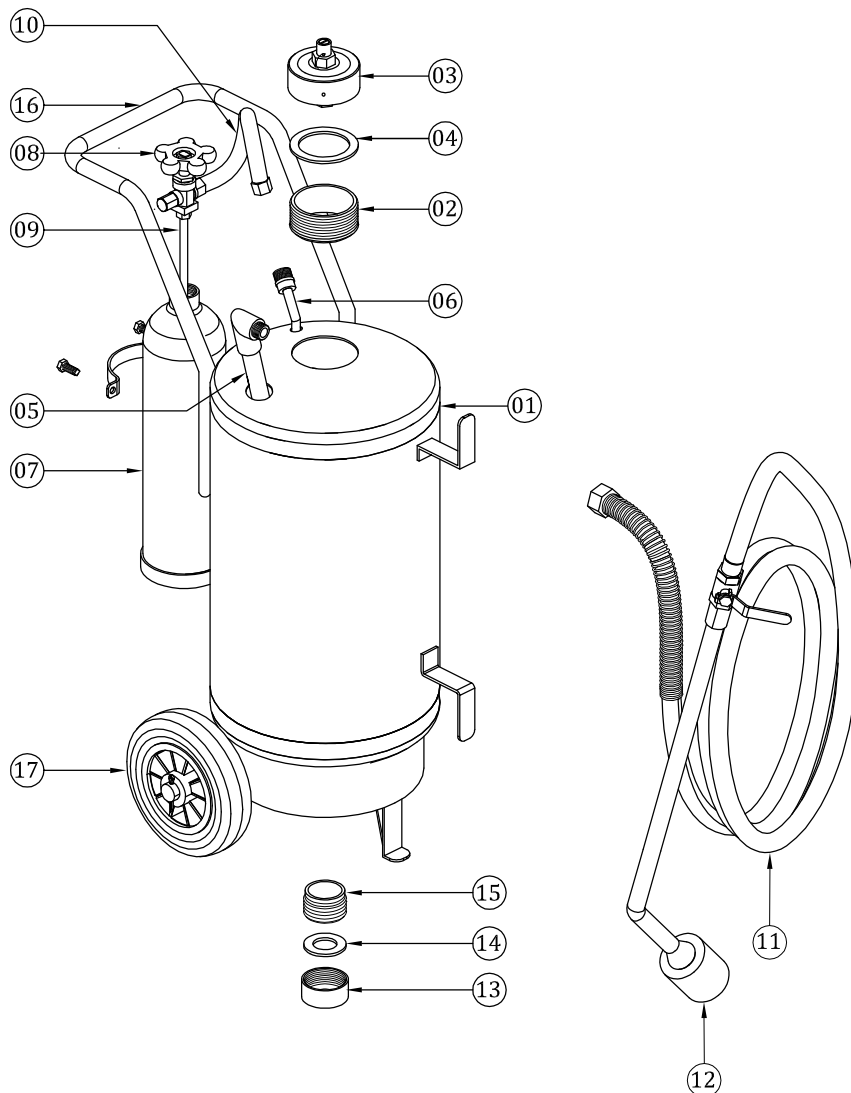
Scale	NTS
Project	
Sheet	REV.
1 of 1	00

Sr.No	Item Description	Materials of Constructions
-------	------------------	----------------------------

Date	Rev.Dt	Description	XXX	Name	Sign.	Date
------	--------	-------------	-----	------	-------	------

DESIGN DATA :

TYPE OF EXTINGUISHER : TROLLEY MOUNTED TYPE
 EXTINGUISHING MEDIUM : CHLORIDE BASED POWDER
 CLASS OF FIRE : D CLASS FOR METAL FIRES
 CAPACITY : 25 KG.(BY WEIGHT OF EXTINGUISHING CHARGE)
 DISCHARGE TIME : MINIMUM 25 SEC.
 RANGE OF THROW OF JET : NA
 HYDRAULIC PRESSURE : 30 kg/cm² FOR 2.5 MINUTES. TEST
 BURST PRESSURE : 45 kg/cm²
 SERVICE PRESSURE/ EXPANSION SPACE : NOT TO EXCEED 15 kg/cm²
 DIA. OF BODY : 300±10mm.O/D.(APPROX)
 TOTAL HEIGHT : 980mm (APPROX)
 FINISH : PO RED AS PER IS:5 (SHADE-538)



980mm (Approx)

Ø300±10mm

17.	TROLLEY WHEEL	: SOLID RUBBER
16.	CARRYING HANDLE	: M.S.PIPE
15.	DRAIN NECK RING	: M.S.
14.	DRAIN PLUG WASHER	: RUBBER
13.	DRAIN PLUG	: BRASS
12.	APLICATOR	: ALUMINIUM ALLOY 6063:T6
11.	DISCHARGE HOSE	: PVC BRAIDED 3 Mtr. (BURST PRESSURE ≥50kg/cm ²)
10.	CO2 CONNECTION HOSE:	WIRE BRAIDED
09.	CO2 SYPHONE TUBE	: ALUMINIUM
08.	DISCHARGE VALVE	: BRASS CONFIRM TO IS : 3224
07.	CO2 GAS CYLINDER (1 KG)	: AS PER IS:7285
06.	SIPHONE TUBE (INLET)	: M.S. PIPE
05.	SIPHONE TUBE (OUTLET)	: M.S. PIPE
04.	WASHER	: RUBBER
03.	CAP	: BRASS
02.	NECK RING	: M.S.PIPE
01.	BODY	: M.S. SHEET

00.00.00	00.00.00		APP'D	A.Shah		01.07.15
00.00.00	00.00.00		CHK'D	Naresh		01.07.15
00.00.00	00.00.00		DR'N	RNG		01.07.15

KANADIA FYR FYTER PVT.LTD
(AN ISO-9001-2008 CERTIFIED CO.)
 PLOT NO - 7, PARAS IND. ESTATE, NEAR GARIBISHA PIR,
 SIHOR -364 240.(GU.) e-mail: tech2@kanexfire.com

TITLE: POWDER (TROLLEY MOUNTED) "D" TYPE FIRE EXTINGUISHER OF CAPACITY 25 KG

DRG. NO. :KFPL/GAD/H/CP/D/25

Scale	NTS
Project	
Sheet	REV.
1 of 1	00