



**TECHNICAL DATASHEET FOR POWDER
(TROLLEY MOUNTED) "D" TYPE FIRE
EXTINGUISHER OF CAPACITY 50 KG**

KANADIA FYR FYTER PVT. LTD
(An ISO 9001:2008 Certified Company)

KANEX DOC NO.: KFPL/GTP/H/CP/D/50

REV. 00

DATE: 01.07.2015

SHEET 1 OF 2

CLIENT

PROJECT

PO NO.

1.00 General

1.01	Manufacturer	Kanadia Fyr Fyter Pvt Ltd
1.02	Trade Mark	"KANEX"
1.03	Type	Trolley Mounted Type
1.04	Whether Seal is provided to indicate that Extinguisher has not been used	Yes
1.05	Quantity	

2.00 Materials of Construction

2.01	Extinguishing Medium	Chloride based dry powder
2.02	Body	M.S Sheet
2.03	Neck Ring	M.S Pipe
2.04	Cap	Brass
2.05	Siphon Tube(Inlet)	M.S. Pipe
2.06	Siphon Tube(Outlet)	M.S. Pipe
2.07	CO2 gas Cylinder(2 kg)	As per IS:7285
2.08	CO2 gas	As per IS:15222
2.09	Discharge Hose	PVC Braided (Burst pressure \geq 50 kg/cm ²)
2.10	Applicator	Aluminium alloy
2.11	Discharge Valve	IS:3224 (Wheel Type)
2.12	Trolley Wheel	Solid Rubber
2.13	Carrying Handle	Mild steel Pipe

3.00 Guaranteed Performance

3.01	Capacity	50 kg (By weight of extinguishing charge)
3.02	Discharge Time	Min. 40 sec.
3.03	Range or Throw of Jet	NA
3.04	Percentage of Discharge	Not Less than 85 %.
3.05	Hydraulic Pressure Test	30 kg/cm ² for 2.5 minutes
3.06	Burst Test	45 kg/cm ²
3.07	Service Pressure/Expansion Space	Not to exceed 15 kg/cm ²
3.08	Supplied First Charge Of Extinguisher Agent	Yes



**TECHNICAL DATASHEET FOR POWDER
(TROLLEY MOUNTED) "D" TYPE FIRE
EXTINGUISHER OF CAPACITY 50 KG**

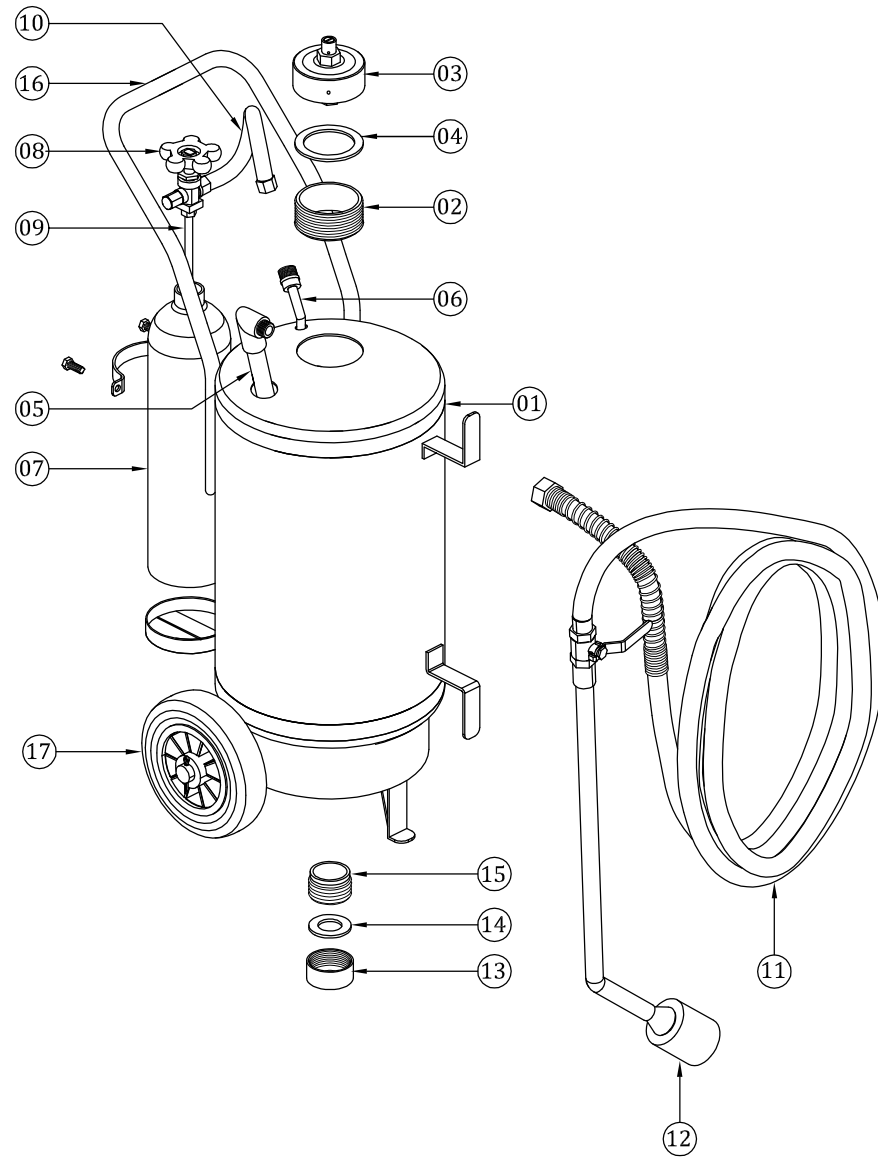
KANADIA FYR FYTER PVT. LTD
(An ISO 9001:2008 Certified Company)

4.00	Dimensions	
4.01	Maximum Diameter of Fire Extinguisher	400±10 mm O/D approx
4.02	Overall Height of Extinguisher	1020 mm (Approx.)
4.03	Shell thickness	4 mm (Approx.)
4.04	Filler Opening	75 mm
4.05	Discharge Hose	L=5 meter I.D=19 mm
4.06	Full Weight	146 kg (Approx.)
5.00	Anti-Corrosive Treatment	Phosphate Treatment Followed by Epoxy Powder Coating of body DFT not less than 50 micron
6.00	Accessories	
6.01	Wheels	Provided
7.00	Miscellaneous	
7.01	Inspection & Testing	As per approved GTP
7.02	Finish	PO Red as per IS : 5 (Shade 538)
7.03	Maintenance, Care and Refilling	As per IS 2190
8.00	Packing	Suitable Jute Bags

DESIGN DATA :

TYPE OF EXTINGUISHER : TROLLEY MOUNTED TYPE
 EXTINGUISHING MEDIUM : CHLORIDE BASED POWDER
 CLASS OF FIRE : D CLASS FOR METAL FIRES
 CAPACITY : 50 KG.(BY WEIGHT OF EXTINGUISHING CHARGE)
 DISHCHARGE TIME : MINIMUM 40 SEC.
 RANGE OF THROW OF JET : NA
 HYDRAULIC PRESSURE : 30 kg/cm² FOR 2.5 MINUTES. TEST
 BURST PRESSURE : 45 kg/cm²
 SERVICE PRESSURE/ EXPANSION SPACE : NOT TO EXCEED 15 kg/cm²
 DIA. OF BODY : 400±10mm.O/D.(APPROX)
 TOTAL HEIGHT : 1020mm (APPROX)
 FINISH : PO RED AS PER IS:5 (SHADE-538)

17.	TROLLEY WHEEL	: SOLID RUBBER
16.	CARRYING HANDLE	: M.S.PIPE
15.	DRAIN NECK RING	: M.S.
14.	DRAIN PLUG WASHER	: RUBBER
13.	DRAIN PLUG	: BRASS
12.	APPLICATOR	: ALUMINUM ALLOY 6063:T6
11.	DISCHARGE HOSE	: PVC BRAIDED, 5 Mtr. (BURST PRESSURE ≥50kg/cm ²)
10.	CO2 CONNECTION HOSE:	WIRE BRAIDED
09.	CO2 SYPHONE TUBE	: ALUMINIUM
08.	DISCHARGE VALVE	: BRASS CONFIRM TO IS : 3224
07.	CO2 GAS CYLINDER (2 KG)	: AS PER IS:7285
06.	SIPHONE TUBE (INLET)	: M.S. PIPE
05.	SIPHONE TUBE (OUTLET)	: M.S. PIPE
04.	WASHER	: RUBBER
03.	CAP	: BRASS
02.	NECK RING	: M.S.PIPE
01.	BODY	: M.S. SHEET



00.00.00	00.00.00		APP'D	A.Shah		01.07.15			
00.00.00	00.00.00		CHK'D	Naresh		01.07.15			
00.00.00	00.00.00		DR'N	RNG		01.07.15			
Sr.No	Item Description	Materials of Constructions	Date	Rev.Dt	Description	XXX	Name	Sign.	Date

KANEX
 KANADIA FYR FYTER PVT.LTD
 (AN ISO-9001-2008 CERTIFIED CO.)
 PLOT NO - 8, PARAS IND. ESTATE, NEAR GARIBSHA PIR,
 SIHOR -364 240.(GU.) e-mail: tech2@kanexfire.com

TITLE: POWDER (TROLLEY MOUNTED) "D" TYPE FIRE EXTINGUISHER OF CAPACITY 50 KG
 DRG. NO. :KFPL/GAD/H/CP/D/50
 Scale NTS
 Project
 Sheet 1 of 1
 REV. 00

