



**TECHNICAL DATASHEET FOR FOAM
(TROLLEY MOUNTED)TYPE FIRE
EXTINGUISHER OF CAPACITY 50 LTR**

KANADIA FYR FYTER PVT. LTD
(An ISO 9001:2008 Certified Company)

KANEX DOC NO.: KFPL/GTP/H/CP/M/50

REV. 00

DATE: 01.07.2015

SHEET 1 OF 2

CLIENT

PROJECT

PO NO.

1.00 General

1.01	Manufacturer	Kanadia Fyr Fyter Pvt Ltd
1.02	Trade Mark	"KANEX"
1.03	Standard Code	IS 13386:1992
1.04	Type	Trolley Mounted Type
1.05	Whether Seal is provided to indicate that Extinguisher has not been used	Yes
1.06	Quantity	

2.00 Materials of Construction

2.01	Extinguishing Medium	AFFF Foam 6 % concentrate confirms to IS:4989
2.02	Body	M.S Sheet of IS:1079
2.03	Neck Ring	M.S Pipe of IS:1239
2.04	Cap	LTB2 of IS:318
2.05	Cap Washer	Rubber
2.06	Siphon Tube	M.S. Pipe (IS:3601)
2.07	CO2 gas cartridge(300 gm)	As per IS:4947
2.08	Discharge Hose	PVC Braided (Burst pressure \geq 50 kg/cm ²)
2.09	Foam Making Nozzle	Aluminium alloy (IS:617)
2.10	Drain Plug	Brass
2.11	Snifter Valve	Brass IS:319
2.12	Trolley Wheel	Solid Rubber
2.13	Carrying Handle	Mild steel Pipe

3.00 Guaranteed Performance

3.01	Capacity	50 Ltr (By volume of extinguishing charge)
3.02	Discharge Time	40 to 180 sec (Actual : 130 sec approx)
3.03	Range or Throw of Jet	Not less than 10 meter (Actual : 11 meter approx)
3.04	Percentage of Discharge	Not Less than 90 % (Actual : 94% approx)
3.05	Hydraulic Pressure Test	30 kg/cm ² for 2 minutes
3.06	Burst Test	45 kg/cm ²
3.07	Service Pressure/Expansion Space	Not to exceed 15 kg/cm ²
3.08	Construction Features	As per IS:13386:1992
3.09	Supplied First Charge Of Extinguisher Agent	Yes



**TECHNICAL DATASHEET FOR FOAM
(TROLLEY MOUNTED)TYPE FIRE
EXTINGUISHER OF CAPACITY 50 LTR**

KANADIA FYR FYTER PVT. LTD
(An ISO 9001:2008 Certified Company)

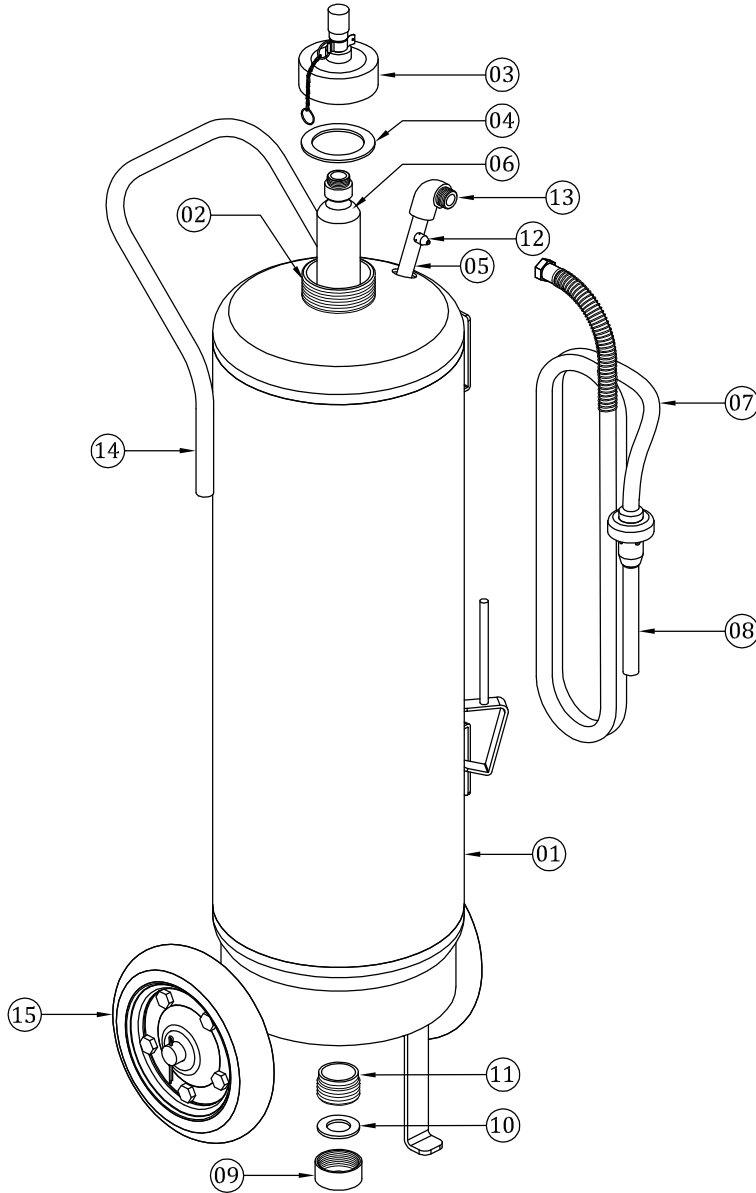
4.00	Dimensions	
4.01	Maximum Diameter of Fire Extinguisher	300±10 mm. O/D
4.02	Overall Height of Extinguisher	1285 mm (Approx.)
4.03	Shell thickness	3.15 mm (Approx.)
4.04	Filler Opening	75 mm
4.05	Discharge Hose	L=3 meter I.D=12.5 mm
5.00	Anti-Corrosive Treatment	Phosphate Treatment Followed by Epoxy Powder Coating of body DFT not less than 50 micron
6.00	Accessories	
6.01	Carrying Handle	Provided
6.02	Wheels	Provided
6.03	All other Accessories as per IS:13386:1992	Provided
7.00	Miscellaneous	
7.01	Inspection & Testing	As per approved GTP
7.02	Finish	PO Red as per IS : 5 (Shade 538)
7.03	Marking	As per IS 13386:1992
7.04	Maintenance, Care and Refilling	As per IS 2190
8.00	Approvals	BIS
9.00	Packing	Suitable Jute Bags

DESIGN DATA :

STANDARD CODE : IS 13386 : 1992
 TYPE OF EXTINGUISHER : TROLLEY MOUNTED TYPE
 EXTINGUISHING MEDIUM : AFFF, FOAM 6%
 CONCENTRATE CONFIRMS TO IS:4989
 CLASS OF FIRE : A & B
 CAPACITY : 50 LTR.(BY VOLUME OF EXTINGUISHING CHARGE)
 DISCHARGE TIME : MINIMUM 40 SEC. & MAXIMUM 180 SEC.
 RANGE OF THROW OF JET : NOT LESS THAN 10 METERS.
 PERCENTAGE OF DISCHARGE: **NOT LESS THAN 90%**
 HYDRAULIC PRESSURE : 30 kg/cm² FOR 2.0 MINUTES. TEST
 BURST PRESSURE : 45 kg/cm²
 SERVICE PRESSURE/EXPANSION SPACE : NOT TO EXCEED 15 kg/cm²
 DIA. OF BODY : 300±10mm.O/D.(APPROX)
 TOTAL HEIGHT : 1285mm (APPROX)
 FINISH : PO RED SHADE 538 OF IS:5-1994.
 MARKING : AS PER IS:13386,CL.12.0

- 15. TROLLEY WHEEL : SOLID RUBBER
- 14. CARRYING HANDLE : M.S.PIPE
- 13. DISCHARGE ELBOW : M.S.
- 12. SNIFFER VALVE : BRASS, TP-1 OF IS:319
- 11. DRAIN NECK RING : M.S.
- 10. DRAIN PLUG WASHER : RUBBER
- 09. DRAIN PLUG : BRASS
- 08. DISCHARGE NOZZLE : ALUMINIUM ALLOY IS:617
- 07. DISCHARGE HOSE : PVC BRAIDED
BURST PRESSURE ≥50kg/cm²
ID: 12.5mm, Length : 3 mtr.
- 06. CO₂ GAS CARTRIDGE,: IS:4947
300 Gms.
- 05. SIPHONE TUBE : M.S. PIPE TO IS:3601
(OUTLET)
- 04. WASHER : RUBBER
- 03. CAP : LTB2 TO IS:318
- 02. NECK RING : M.S. PIPE OF IS:1239 (Part 1)
- 01. BODY : M.S.SHEET OF IS:1079

Sr.No	Item Description	Materials of Constructions
1		
2		
3		
4		
5		
6		
7		
8		
9		
10		



OWNER/CLIENT		XXX XXX XXX XX XXX	
CONTRACTOR		XXX XXX XXX XX XXX	
PO.No.		XXX XXX XXX XX XXX	
TITLE HIGHER CAPACITY MECHANICAL FOAM TYPE FIRE EXTINGUISHER 50 LTR. (TROLLEY MOUNTED)			
PROJECT	XXX XXX XXX XX XXX	Scale	NTS
DRG.No.	KFPL/GAD/H/CP/M/50	Project	
		Sheet	REV.
		1 of 1	00

00.00.00	00.00.00		APP'D	A.Shah		01.07.15
00.00.00	00.00.00		CHK'D	Naresh		01.07.15
00.00.00	00.00.00		DR'N	RNG		01.07.15

KANEX
 KANADIA FYR FYTER PVT.LTD
(AN ISO-9001-2008 CERTIFIED CO.)
 PLOT NO - 8, PARAS IND. ESTATE, NEAR GARIBSHA PIR,
 SIHOR -364 240.(GU.) e-mail: tech2@kanexfire.com

A