

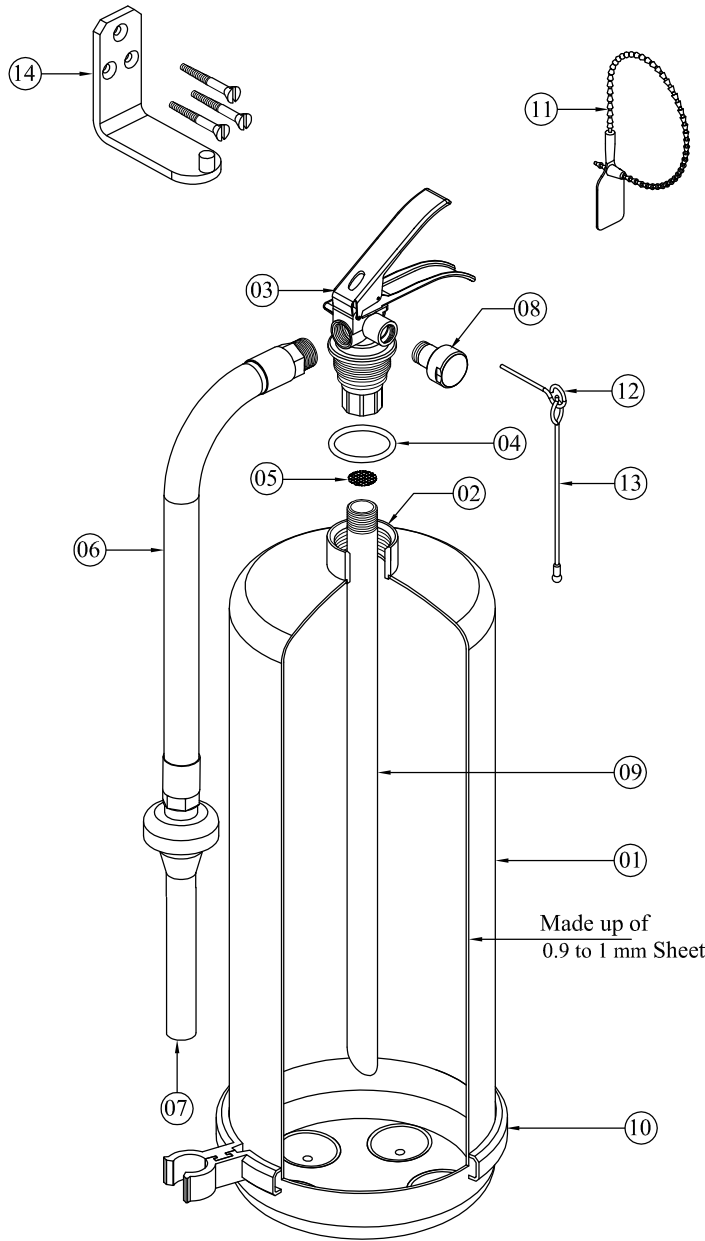
DESIGN DATA		
Sr No.	PARTICULARS	DESCRIPTION
01	Capacity	9 Ltr.(Tolerance ±5% by Volume)
02	Temperature range	+5°C to +55°C
03	Service pressure	15 bar
04	Maximum service Pressure	17 bar
05	Pressure test (PT)	35 bar (3.5 MPa)
06	Minimum Burst Pressure Test(PB)	55 bar (5.5 MPa)
07	Burst pressure of hose	Not less than 35 bar (3.5 MPa)
PERFORMANCE PARAMETERS		
01	Effective discharge time	Minimum : 13 Sec. (Actual:35 sec approx)
02	Bulk range of discharge	Minimum : 2 meter (Actual:5 meter approx)
03	Percentage of discharge	Not less than 90% (Actual:98% approx)
04	Fire Rating	4A : 55B

<b>MARKING</b>	Standard Instructions & CE Marked
<b>APPROVAL</b>	CE certified & Approved

15.	Extinguishing medium	Distilled Water +AFFF 6% As per IS:4989
14.	Wall bracket with Screw	Mild steel (Powder coated)
13.	Safety pin Holder	Rubber/Soft pvc
12.	Safety pin	S.S.
11.	Seal	PP Plastic
10.	Belt	PP Plastic
09.	Siphone tube	PVC /Plastic
08.	Pressure gauge/Indicator	As per IS : 15683-2006
07.	Discharge Nozzle	Plastic
06.	Discharge hose	Rubber Braided EPDM Hose
05.	Strainer	S.S.
04.	"O" Ring	Nitrile Rubber
03.	Valve	S.S.
02.	Neck ring	S.S.Pipe
01.	Body	S.S. Sheet .

00.00.00	00.00.00		APP'D	A.Shah	01.07.15
00.00.00	00.00.00		CHK'D	Naresh	01.07.15
00.00.00	00.00.00		DR'N	RNG	01.07.15

Sr.No	Item Description	Materials of Constructions
-------	------------------	----------------------------



Made up of  
0.9 to 1 mm Sheet



OWNER/CLIENT			
XXX XXX XXX XX XXX			
CONTRACTOR			
XXX XXX XXX XX XXX			
PO.No.		XXX XXX XXX XX XXX	
TITLE MECHANICAL FOAM (STORED PRESSURE) TYPE FIRE EXTINGUISHER CAPACITY 9 LTR. (S.S. BODY S.S. VALVE)			
PROJECT	XXX XXX XXX XX XXX	Scale	NTS
DRG.No.	KFPL/GAD/P/SLP/M/SS/9	Project	
		Sheet	REV.
		1 of 1	00

