



TECHNICAL DATASHEET FOR
WATER(CARTRIDGE OPERATED)
TYPE FIRE EXTINGUISHER OF
CAPACITY 9 LTR

KANADIA FYR FYTER PVT. LTD
(An ISO 9001:2008 Certified Company)

KANEX DOC NO.: KFPL/GTP/P/CP/W/9

REV. 00

DATE: 01.07.2015

SHEET 1 OF 2

CLIENT

PROJECT

PO NO.

1.00 General

1.01 Manufacturer Kanadia Fyr Fyter Pvt Ltd

1.02 Trade Mark "KANEX"

1.03 Standard Code IS 15683:2006

1.04 Type Portable Cartridge Operated

1.05 Whether Seal is provided to indicate that Extinguisher has not been used Yes

1.06 Quantity

2.00 Materials of Construction

2.01 Extinguishing Medium Distilled Water

2.02 Body Mild Steel Sheet having Max. of 0.25% Carbon, 0.05% Phosphorous and 0.05% Sulphur

2.03 Neck Ring M.S. Pipe

2.04 Valve Brass

2.05 Siphon Tube Plastic/PVC

2.06 Discharge Nozzle Aluminum

2.07 Discharge Hose Rubber Braided EPDM Hose (Length : 465 mm)

2.08 Strainer S.S

2.09 Gas Cartridge(60 grams) ISI marked as per IS:4947

2.10 Wall mounting Bracket with screw Mild steel (Powder Coated)/Screw of M.S

3.00 Guaranteed Performance

3.01 Capacity 9 ltr (Tolerance $\pm 5\%$ by volume)

3.02 Minimum effective Discharge Time Minimum : 13 Sec. (Actual : 32 Sec. approx)

3.03 Bulk Range of Discharge Minimum 2 meter (Actual : 8 meter approx)

3.04 Percentage of Discharge Not Less than 95 % (Actual : 99% approx)

3.05 Fire Rating 3A

3.06 Temperature Range +5 °C to +55 °C

3.07 Service Pressure 15 bar

3.08 Maximum Service Pressure 18 bar

4.00 Routine Tests

4.01 Pressure test (Pt) 35 bar (3.5 MPa)



**TECHNICAL DATASHEET FOR
WATER(CARTRIDGE OPERATED)
TYPE FIRE EXTINGUISHER OF
CAPACITY 9 LTR**

KANADIA FYR FYTER PVT. LTD
(An ISO 9001:2008 Certified Company)

4.02	Minimum Burst Pressure test (Pb) for Body	55 bar (5.5 MPa)
4.03	Leakage test	By applying soap solution leakage to checked
4.04	Partial discharge	The second pressure or weight shall not be less than 75% of the first after interruption of the Discharge.
4.05	Burst pressure Test For Discharge Hose	Not less than 35 bar (3.5 Mpa)

5.00	Extinguishers also pass through the Following Tests (Type tests)	
5.01	Resistance to Temperature changes	
5.02	Resistance to Impact test	
5.03	Resistance to Vibrations test	
5.04	Resistance to Corrosion test -External	
5.05	Resistance to Corrosion test -Internal	
5.06	Tapping Test	
5.07	Intermittent Discharge test	
5.08	Crushing test	
5.09	Pressure cycling test	
5.10	Fire performance Test	

6.00	Dimensions	
6.01	Maximum Diameter of Fire Extinguisher	180±10 mm.
6.02	Overall Height of Extinguisher	585 mm (Approx.)
6.03	Thickness of sheet	Made Up of 2 mm
6.04	Full weight of cylinder	12 kg (Approx)

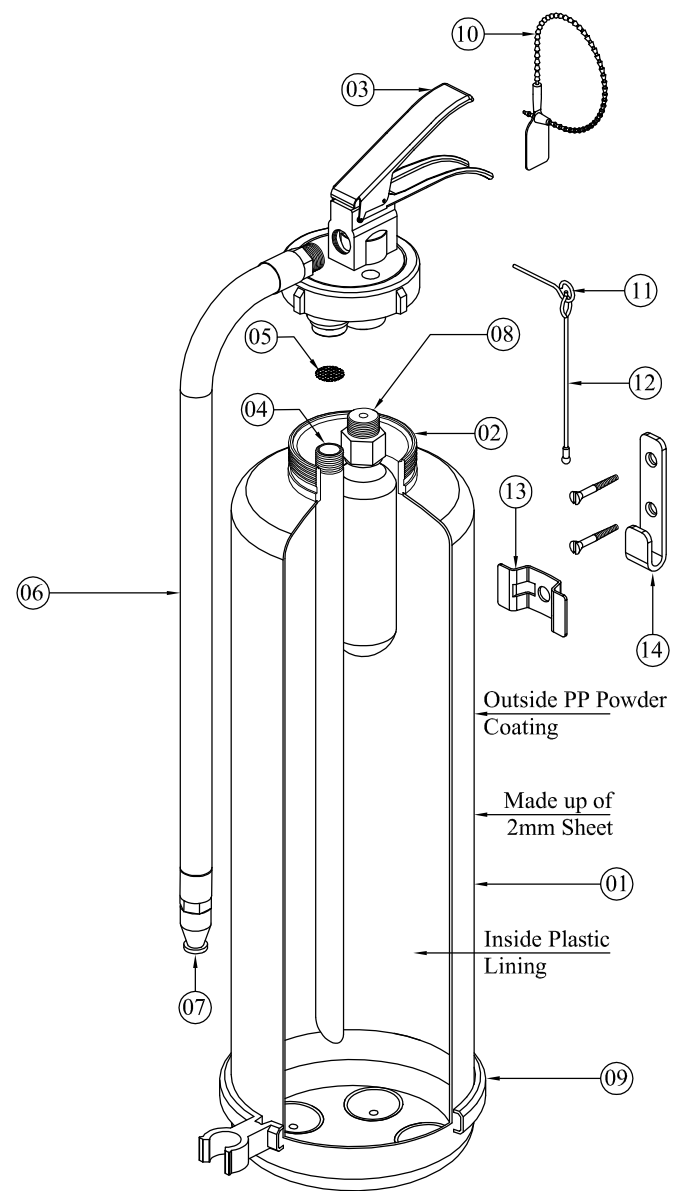
7.00	Anti - Corrosive Treatment	Phosphate Treatment Followed by epoxy powder coating of body DFT Not less than 50 Micron
8.00	Accessories (brackets & screws)	Provided

9.00	Miscellaneous	
9.01	Inspection & Testing	As per approved GTP
9.02	Finish	Outside powder coated with PO Red as per IS : 5 (Shade 538) & Inside Plastic lining
9.03	Marking	As per IS 15683:2006
9.04	Approvals	BIS
9.05	Maintenance, Care and Refilling	As per IS 2190
10.0	Packing	Corrugated boxes (Outer box sizes: 370x190x660mm)

DESIGN DATA		
Sr No.	PARTICULARS	DESCRIPTION
01	Capacity	9 Ltr.(Tolerance ±5% by Volume)
02	Temperature range	+5°C to +55°C
03	Service pressure	15 bar
04	Maximum service Pressure	18 bar
05	Pressure test (PT)	35 bar (3.5 MPa)
06	Minimum Burst Pressure Test(PB)	55 bar (5.5 MPa)
07	Burst pressure of hose	Not less than 35 bar (3.5 MPa)
PERFORMANCE PARAMETERS		
01	Effective discharge time	Minimum : 13 Sec. (Actual:32 sec approx)
02	Bulk range of discharge	Minimum : 2 meter (Actual:8 meter approx)
03	Percentage of discharge	Not less than 95% (Actual:99% approx)
04	Fire Rating	3A

MARKING	AS PER IS:15683-2006
APPROVAL	BIS - ISI MARKED

15.	Extinguishing medium	Distilled Water
14.	Wall bracket with Screw	Mild steel (Powder coated)
13.	"C" Clip	M.S.
12.	Safety pin Holder	Rubber/Soft pvc
11.	Safety pin	S.S.
10.	Seal	PP Plastic
09.	Belt	PP Plastic
08.	Gas Cartridge (60 gm.)	ISI Marked - As per IS 4947
07.	Discharge Nozzle	Aluminum
06.	Discharge hose	Rubber Braided EPDM Hose
05.	Strainer	S.S.
04.	Siphone tube (Outlet)	Plastic
03.	Valve	Brass
02.	Neck ring	M.S.Pipe
01.	Body	M.S. Sheet Having Maximum Of C=0.25%,P=0.05% and S= 0.05%



Outside PP Powder Coating

Made up of 2mm Sheet

Inside Plastic Lining



OWNER/CLIENT		XXX XXX XXX XX XXX	
CONTRACTOR		XXX XXX XXX XX XXX	
PO.No.	XXX XXX XXX XX XXX		
TITLE WATER (CARTRIDGE OPERATED) TYPE FIRE EXTINGUISHER CAPACITY 9 LTR.			
PROJECT	XXX XXX XXX XX XXX	Scale	NTS
DRG.No.	KFPL/GAD/P/SLP/CP/M/9	Project	
		Sheet	REV.
		1 of 1	00

Sr.No	Item Description	Materials of Constructions
1		
2		
3		
4		
5		
6		
7		
8		
9		
10		

Date	Rev.Dt	Description	XXX	Name	Sign.	Date
00.00.00	00.00.00			APP'D A.Shah		01.07.15
00.00.00	00.00.00			CHK'D Naresh		01.07.15
00.00.00	00.00.00			DR'N RNG		01.07.15

KANEX
 KANADIA FYR FYTER PVT.LTD
 (AN ISO-9001-2008 CERTIFIED CO.)
 PLOT NO - 7, PARAS IND. ESTATE, NEAR GARIBISHA PIR,
 SIHOR -364 240 (GU.) e-mail: tech2@kanexfire.com