



TECHNICAL DATASHEET FOR
WATER(STORED PRESSURE)
TYPE FIRE EXTINGUISHER OF
CAPACITY 9 LTR

KANADIA FYR FYTER PVT. LTD
(An ISO 9001:2008 Certified Company)

KANEX DOC NO.: KFPL/GTP/P/SLP/W/9

REV. 00

DATE: 01.07.2015

SHEET 1 OF 2

CLIENT

PROJECT

PO NO.

1.00 General

1.01	Manufacturer	Kanadia Fyr Fyter Pvt Ltd
1.02	Trade Mark	"KANEX"
1.03	Standard Code	IS 15683:2006
1.04	Type	Portable Stored Pressure
1.05	Whether Seal is provided to indicate that Extinguisher has not been used	Yes
1.06	Quantity	

2.00 Materials of Construction

2.01	Extinguishing Medium	Distilled Water
2.02	Body	Mild Steel Sheet having Max. of 0.25% Carbon, 0.05% Phosphorous and 0.05% Sulphur
2.03	Neck Ring	M.S. Pipe
2.04	Valve	Brass
2.05	Siphon Tube	Plastic/PVC
2.06	Discharge Nozzle	Brass
2.07	Pressure Gauge/indicator	As per IS 15683:2006
2.08	Discharge Hose	Rubber Braided EPDM Hose (Length : 465 mm)
2.09	Strainer	S.S
2.10	Wall mounting Bracket with screw	Mild steel (Powder Coated)/M.S

3.00 Guaranteed Performance

3.01	Capacity	9 ltr (Tolerance $\pm 5\%$ by mass)
3.02	Minimum effective Discharge Time	Minimum : 13 Sec. (Actual : 35 Sec. approx)
3.03	Bulk Range of Discharge	Minimum 2 meter (Actual : 8 meter approx)
3.04	Percentage of Discharge	Not Less than 95 % (Actual : 98% approx)
3.05	Fire Rating	2A
3.06	Temperature Range	+5 °C to +55 °C
3.07	Service Pressure	15 bar
3.08	Maximum Service Pressure	18 bar

4.00 Routine Tests

4.01	Pressure test (Pt)	35 bar (3.5 MPa)
------	--------------------	------------------



**TECHNICAL DATASHEET FOR
WATER(STORED PRESSURE)
TYPE FIRE EXTINGUISHER OF
CAPACITY 9 LTR**

KANADIA FYR FYTER PVT. LTD
(An ISO 9001:2008 Certified Company)

4.02	Minimum Burst Pressure test (Pb) for Body	55 bar (5.5 MPa)
4.03	Leakage test	By applying soap solution leakage to checked
4.04	Partial discharge	The second pressure or weight shall not be less than 75% of the first after interruption of the Discharge.
4.05	Burst pressure Test For Discharge Hose	Not less than 35 bar (3.5 Mpa)

5.00	Extinguishers also pass through the Following Tests (Type tests)	
5.01	Resistance to Temperature changes	
5.02	Resistance to Impact test	
5.03	Resistance to Vibrations test	
5.04	Resistance to Corrosion test -External	
5.05	Resistance to Corrosion test -Internal	
5.06	Tapping Test	
5.07	Intermittent Discharge test	
5.08	Crushing test	
5.09	Pressure cycling test	
5.10	Fire performance Test	

6.00	Dimensions	
6.01	Maximum Diameter of Fire Extinguisher	180±10 mm.
6.02	Overall Height of Extinguisher	575 mm (Approx.)
6.03	Thickness of sheet	Made Up of 2 mm
6.04	Full weight of cylinder	12 kg (Approx)

7.00	Anti - Corrosive Treatment	Phosphate Treatment Followed by epoxy powder coating of body DFT Not less than 50 Micron
8.00	Accessories (brackets & screws)	Provided

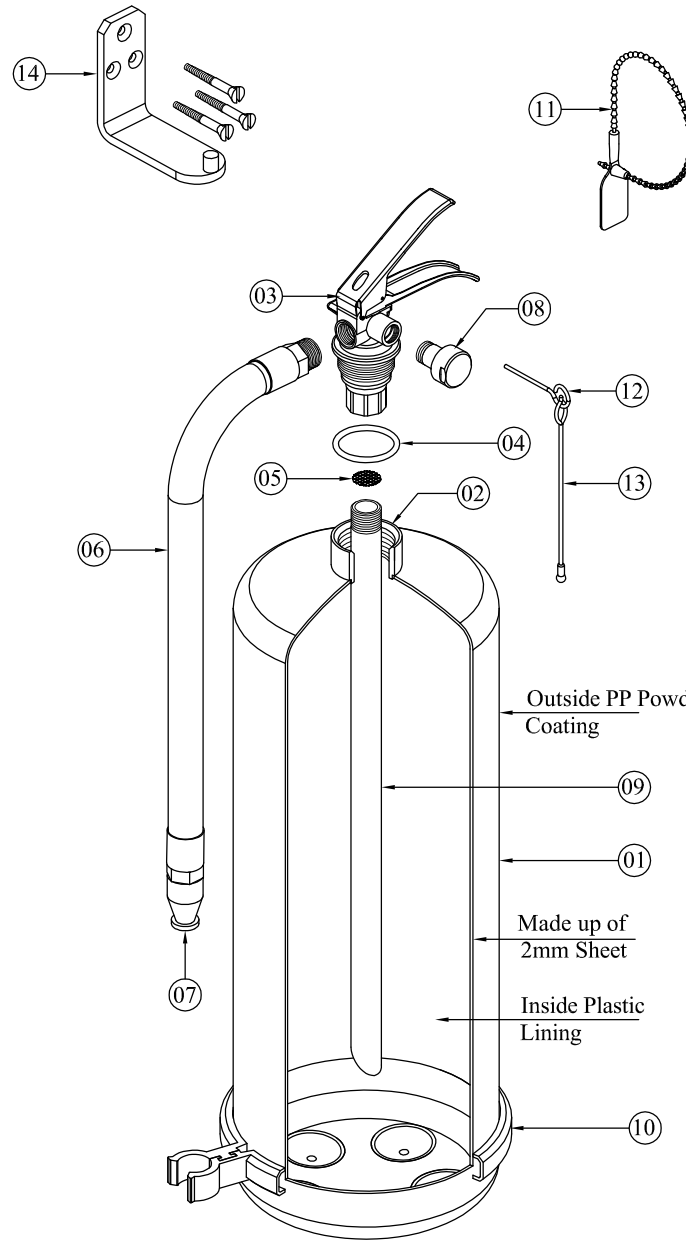
9.00	Miscellaneous	
9.01	Inspection & Testing	As per approved GTP
9.02	Finish	Outside powder coated with PO Red as per IS : 5 (Shade 538) & Inside Plastic lining
9.03	Marking	As per IS 15683:2006
9.04	Approvals	BIS
9.05	Maintenance, Care and Refilling	As per IS 2190
10.0	Packing	Corrugated boxes (Outer box sizes: 370x190x660mm)

DESIGN DATA		
Sr No.	PARTICULARS	DESCRIPTION
01	Capacity	9 Ltr.(Tolerance ±5% by Volume)
02	Temperature range	+5°C to +55°C
03	Service pressure	15 bar
04	Maximum service Pressure	18 bar
05	Pressure test (PT)	35 bar (3.5 MPa)
06	Minimum Burst Pressure Test(PB)	55 bar (5.5 MPa)
07	Burst pressure of hose	Not less than 35 bar (3.5 MPa)
PERFORMANCE PARAMETERS		
01	Effective discharge time	Minimum : 13 Sec. (Actual:35 sec approx)
02	Bulk range of discharge	Minimum : 2 meter (Actual:8 meter approx)
03	Percentage of discharge	Not less than 95% (Actual:98% approx)
04	Fire Rating	2A

MARKING	AS PER IS:15683-2006
APPROVAL	BIS - ISI MARKED

15.	Extinguishing medium	Distilled Water
14.	Wall bracket with Screw	Mild steel (Powder coated)
13.	Safety pin Holder	Rubber/Soft pvc
12.	Safety pin	S.S.
11.	Seal	PP Plastic
10.	Belt	PP Plastic
09.	Siphone tube	PVC /Plastic
08.	Pressure gauge/Indicator	As per IS : 15683-2006
07.	Discharge Nozzle	Aluminum
06.	Discharge hose	Rubber Braided EPDM Hose
05.	Strainer	S.S.
04.	"O" Ring	Nitrile Rubber
03.	Valve	Brass
02.	Neck ring	M.S.Pipe
01.	Body	M.S. Sheet Having Maximum Of C=0.25%,P=0.05% and S= 0.05%

Sr.No.	Item Description	Materials of Constructions
1		
2		
3		
4		
5		
6		
7		
8		
9		
10		



00.00.00	00.00.00		APP'D	A.Shah	01.07.15
00.00.00	00.00.00		CHK'D	Naresh	01.07.15
00.00.00	00.00.00		DR'N	RNG	01.07.15

KANEX
 KANADIA FYR FYTER PVT.LTD
 (AN ISO-9001-2008 CERTIFIED CO.)
 PLOT NO - 7, PARAS IND. ESTATE, NEAR GARIBISHA PIR,
 SIHOR -364 240 (GU.) e-mail: tech2@kanexfire.com



OWNER/CLIENT	XXX XXX XXX XX XXX
--------------	--------------------

CONTRACTOR	XXX XXX XXX XX XXX
------------	--------------------

PO.No.	XXX XXX XXX XX XXX
--------	--------------------

TITLE	WATER (STORED PRESSURE) TYPE FIRE EXTINGUISHER CAPACITY 9 LTR.
-------	---

PROJECT	XXX XXX XXX XX XXX	Scale	NTS
DRG.No.	KFPL/GAD/P/SLP/W/9	Project	
		Sheet	REV.
		1 of 1	00

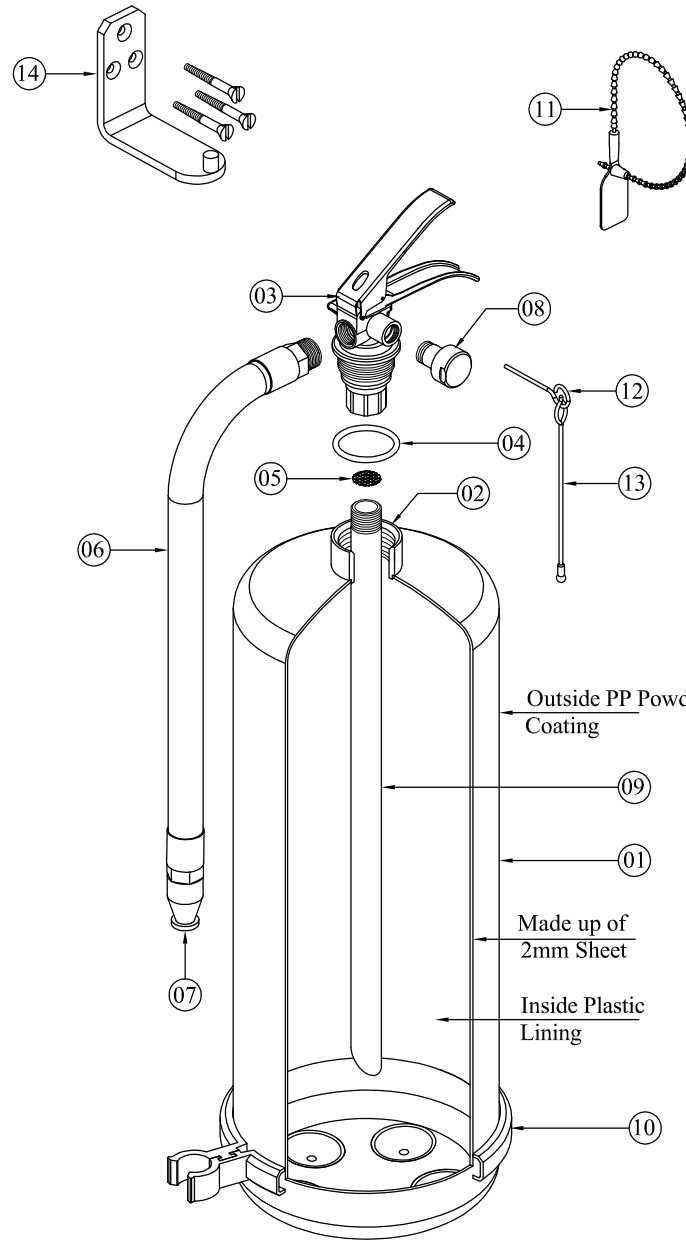
A

DESIGN DATA		
Sr No.	PARTICULARS	DESCRIPTION
01	Capacity	9 Ltr.(Tolerance ±5% by Volume)
02	Temperature range	+5°C to +55°C
03	Service pressure	15 bar
04	Maximum service Pressure	18 bar
05	Pressure test (PT)	35 bar (3.5 MPa)
06	Minimum Burst Pressure Test(PB)	55 bar (5.5 MPa)
07	Burst pressure of hose	Not less than 35 bar (3.5 MPa)
PERFORMANCE PARAMETERS		
01	Effective discharge time	Minimum : 13 Sec. (Actual:35 sec approx)
02	Bulk range of discharge	Minimum : 2 meter (Actual:8 meter approx)
03	Percentage of discharge	Not less than 95% (Actual:98% approx)
04	Fire Rating	2A

MARKING	AS PER IS:15683-2006
APPROVAL	BIS - ISI MARKED

15.	Extinguishing medium	Distilled Water
14.	Wall bracket with Screw	Mild steel (Powder coated)
13.	Safety pin Holder	Rubber/Soft pvc
12.	Safety pin	S.S.
11.	Seal	PP Plastic
10.	Belt	PP Plastic
09.	Siphone tube	PVC /Plastic
08.	Pressure gauge/Indicator	As per IS : 15683-2006
07.	Discharge Nozzle	Aluminum
06.	Discharge hose	Rubber Braided EPDM Hose
05.	Strainer	S.S.
04.	"O" Ring	Nitrile Rubber
03.	Valve	Brass
02.	Neck ring	M.S.Pipe
01.	Body	M.S. Sheet Having Maximum Of C=0.25%,P=0.05% and S= 0.05%

Sr.No.	Item Description	Materials of Constructions
1		
2		
3		
4		
5		
6		
7		
8		
9		
10		



OWNER/CLIENT		XXX XXX XXX XX XXX	
CONTRACTOR		XXX XXX XXX XX XXX	
PO.No.	XXX XXX XXX XX XXX		
TITLE	WATER (STORED PRESSURE) TYPE FIRE EXTINGUISHER CAPACITY 9 LTR.		
PROJECT	XXX XXX XXX XX XXX	Scale	NTS
DRG.No.	KFPL/GAD/P/SLP/W/9	Project	
		Sheet	REV.
		1 of 1	00

00.00.00	00.00.00		APP'D	A.Shah	01.07.15
00.00.00	00.00.00		CHK'D	Naresh	01.07.15
00.00.00	00.00.00		DR'N	RNG	01.07.15

KANADIA FYR FYTER PVT.LTD
 (AN ISO-9001-2008 CERTIFIED CO.)
 PLOT NO - 7, PARAS IND. ESTATE, NEAR GARIBISHA PIR,
 SIHOR -364 240.(GU.) e-mail: tech2@kanesfmc.com