



**TECHNICAL DATASHEET FOR CLEAN  
AGENT TYPE FIRE EXTINGUISHER OF  
CAPACITY 4 KG (S.S. BODY S.S. VALVE)**

**KANADIA FYR FYTER PVT. LTD**  
(An ISO 9001:2008 Certified Company)

KANEX DOC NO.: KFPL/GTP/P/SLP/CA/4

REV. 00

DATE: 01.07.2015

SHEET 1 OF 2

CLIENT

PROJECT

PO NO.

**1.00 General**

1.01	Manufacturer	Kanadia Fyr Fyter Pvt Ltd
1.02	Trade Mark	"KANEX"
1.03	Standard Code	IS 15683:2006
1.04	Type	Portable Stored Pressure
1.05	Whether Seal is provided to indicate that Extinguisher has not been used	Yes
1.06	Quantity	

**2.00 Materials of Construction**

2.01	Extinguishing Medium	Clean Agent UL Listed FE-36 (HFC 236fa) gas
2.02	Body	S.S. 304
2.03	Neck Ring	S.S. 304
2.04	Valve	S.S.
2.05	Siphon Tube	Plastic/PVC
2.06	Discharge Nozzle	Aluminium
2.07	Pressure Gauge/indicator	As per IS 15683:2006
2.08	Discharge Hose	Rubber Braided EPDM Hose (Length:465 mm)
2.09	Wall mounting Bracket with screw	Mild steel (Powder Coated)/M.S

**3.00 Guaranteed Performance**

3.01	Capacity	4 kg (Tolerance $\pm 5\%$ by mass)
3.02	Minimum effective Discharge Time	Minimum : 8 Sec. (Actual : 14 sec approx)
3.03	Bulk Range of Discharge	Minimum 2 meter (Actual : 3.5 meter approx)
3.04	Percentage of Discharge	Not Less than 95 % (Actual : 97.4% approx)
3.05	Fire Rating	1A:21B
3.06	Temperature Range	-20 °C to +55 °C
3.07	Service Pressure	09 bar
3.08	Maximum Service Pressure	15 bar

**4.00 Routine Tests**

4.01	Pressure test (Pt)	35 bar (3.5 MPa)
4.02	Minimum Burst Pressure test (Pb) for Body	55 bar (5.5 MPa)
4.03	Leakage test	By applying soap solution leakage to checked
4.04	Partial discharge	The second pressure or weight shall not be less than 75% of the first after interruption of the Discharge.



**TECHNICAL DATASHEET FOR CLEAN  
AGENT TYPE FIRE EXTINGUISHER OF  
CAPACITY 4 KG (S.S. BODY S.S. VALVE)**

**KANADIA FYR FYTER PVT. LTD**  
(An ISO 9001:2008 Certified Company)

4.05	Burst pressure Test For Discharge Hose	Not less than 35 bar (3.5 Mpa)
------	----------------------------------------	--------------------------------

<b>5.00</b>	<b>Extinguishers also pass through the Following Tests (Type tests)</b>	
-------------	-------------------------------------------------------------------------	--

5.01	Resistance to Temperature changes
5.02	Resistance to Impact test
5.03	Resistance to Vibrations test
5.04	Resistance to Corrosion test -External
5.05	Tapping Test
5.06	Intermittent Discharge test
5.07	Crushing test
5.08	Pressure cycling test
5.09	Fire performance test

<b>6.00</b>	<b>Dimensions</b>	
-------------	-------------------	--

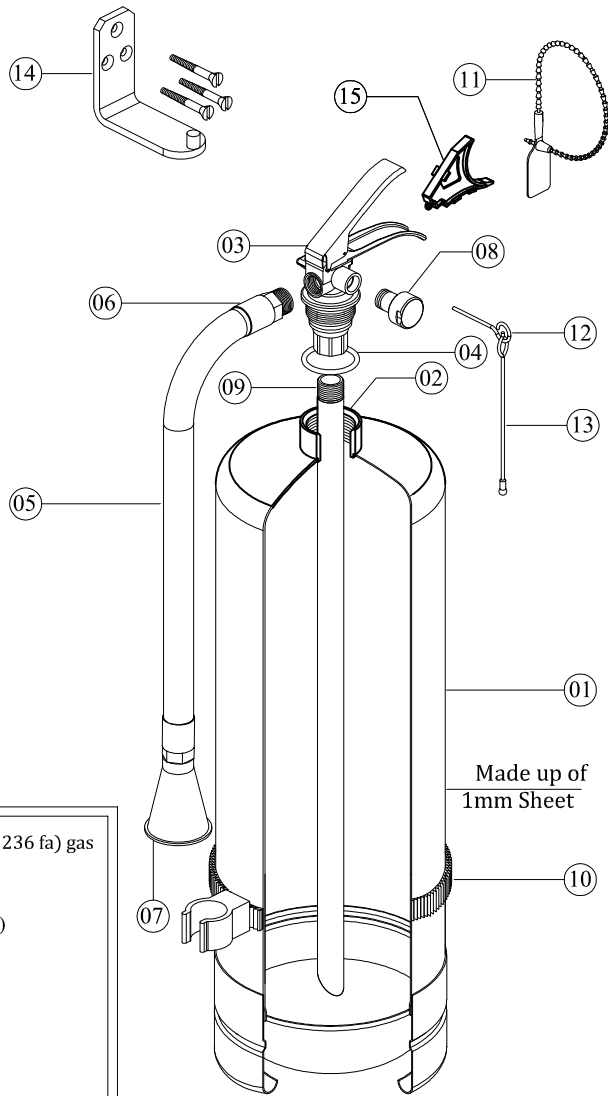
6.01	Maximum Diameter of Fire Extinguisher	140±10 mm.
6.02	Overall Height of Extinguisher	490 mm (Approx.)
6.03	Thickness of sheet	Made Up of 1.0 mm
6.04	Full weight of cylinder	7.4 kg (Approx)

<b>7.00</b>	<b>Accessories (brackets &amp; screws)</b>	Provided
-------------	--------------------------------------------	----------

<b>8.00</b>	<b>Miscellaneous</b>	
-------------	----------------------	--

8.01	Inspection & Testing	As per approved GTP
8.02	Finish	Smooth Finish
8.03	Marking	As per IS 15683:2006
8.04	Approvals	BIS
8.05	Maintenance, Care and Refilling	As per IS 2190

<b>9.00</b>	<b>Packing</b>	Corrugated boxes (Outer box sizes: 360x170x534mm)
-------------	----------------	---------------------------------------------------



DESIGN DATA		
Sr No.	PARTICULARS	DESCRIPTION
01	Capacity	4 kg (Tolerance ±5% by mass)
02	Temperature range	-30°C to +55°C
03	Service pressure	09 bar
04	Maximum service Pressure	12 bar
05	Pressure test (PT)	35 bar (3.5 MPa)
06	Minimum Burst Pressure Test (PB)	55 bar (5.5 MPa)
07	Burst pressure of hose	Not less than 35 bar (3.5 MPa)

PERFORMANCE PARAMETERS		
Sr No.	PARTICULARS	DESCRIPTION
01	Effective discharge time	Minimum 8 Sec.
02	Bulk range of discharge	Minimum : 2 meter
03	Percentage of discharge	Not less than 95%
04	Fire Rating	1A : 21B

DESIGN CALCULATION	
Formula :	$S = (D/600) + k$
Where S=	Thickness, D=Diameter
k=	coefficient to 0.3
S=(140/600) + 0.3	$= 0.23 + 0.3 = 0.53\text{mm}$
Design Thickness S=	0.53mm.
Actual Thickness shall not less than	0.64mm
There for the Actual Thickness =	0.64 to 1mm




16.	Extinguishing medium	Clean agent FE-36 ( HFC 236 fa) gas
15.	lever lock	Plastic
14.	Wall bracket with Screw	Mild steel (Powder coated)
13.	Safety pin Holder	Rubber/Soft pvc
12.	Safety pin	S.S.
11.	Seal	Plastic
10.	Belt	Plastic
09.	Siphone tube	Aluminium/Brass
08.	Pressure gauge /Indicator	As per IS 15683:2006
07.	Discharge nozzle	ABS Plastic
06.	Discharge tube holder	Plastic/PVC
05.	Discharge hose	Rubber Braided EPDM Hose
04.	"O" Ring	Nitryle Rubber
03.	Valve	Brass
02.	Neck ring	S.S.304
01.	Body	S.S.304 (Made up of 1mm)

Sr.No	Item Description	Materials of Constructions
01.	Body	S.S.304 (Made up of 1mm)

Date	Rev.Dt	Description	XXX	Name	Sign.	Date
00.00.00	00.00.00			APP'D	A.Shah	01.07.15
00.00.00	00.00.00			CHK'D	SNC	01.07.15
00.00.00	00.00.00			DR'N	RNG	01.07.15

  
**KANADIA FYR FYTER PVT.LTD**  
(AN ISO-9001-2008 CERTIFIED CO.)  
 PLOT NO - 7, PARAS IND. ESTATE, NEAR GARIBISHA PIR,  
 SIHOR -364 240.(GU.) e-mail: tech2@kanexfire.com

OWNER/CLINT		
XXX XXX XXX XX XXX		
CONTRACTOR		
XXX XXX XXX XX XXX		
PO.No.	XXX XXX XXX XX XXX	
TITLE <b>CLEAN AGENT TYPE FIRE EXTINGUISHER OF CAPACITY 4 KG (S.S. BODY S.S. VALVE)</b>		
PROJECT	XXX XXX XXX XX XXX	Scale NTS
DRG.No.	KFPL/GAD/P/SLP/CA/4	Project 
		Sheet REV.
		1 of 1 00